



AC Fan

恒心 · 互利 · 诚信
PERSEVERANCE MUTUAL BENEFIT GOOD FAITH

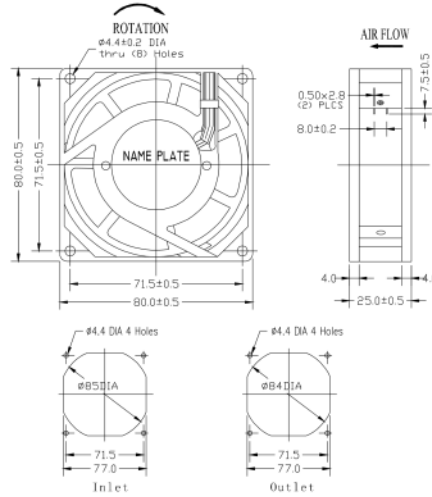
AC 8025



- SIZE:**
80x80x25mm
- construction:**
- Die -cast aluminum housing
 - Glass fiber reinforced plastic: Impeller are UL 94V -0 rating
 - Shaded pole motor
 - Impedance protected
 - Leader wire or terminal is available
- OPERATING TEMPERATURE:**
Ball bearing -30°C to +75°C
Sleeve bearing -10°C to +70°C

Dimensions Drawing

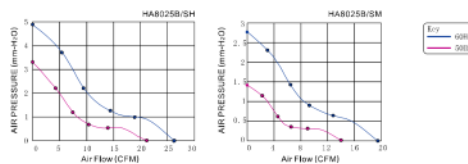
Unit:mm



Specifications

Model	Bearing Type	Rated Voltage	Fre-	Current	Power	Speed	Noise Level	Air Flow		Static Pressure	Weight
		VAC	Hz	A	W	RPM	dBA	M ³ /min	CFM	mmH ₂ O	
HA8025B11H	Ball	115	50/60	0.12/0.10	14/13.5	2300/2800	29/33	0.51/0.62	18/22	3.30/4.83	208
HA8025S11H	Sleeve	115	50/60	0.12/0.10	14/13.5	2300/2800	29/33	0.51/0.62	18/22	3.30/4.83	208
HA8025B11M	Ball	115	50/60	0.09/0.08	11/10	2000/2200	20/21	0.42/0.49	15/17	2.70/2.60	208
HA8025S11M	Sleeve	115	50/60	0.09/0.08	11/10	2000/2200	20/21	0.42/0.49	15/17	2.70/2.60	208
HA8025B22H	Ball	220~240	50/60	0.08/0.07	14/13.5	2300/2800	29/33	0.51/0.62	18/22	3.30/4.83	208
HA8025S22H	Sleeve	220~240	50/60	0.08/0.07	14/13.5	2300/2800	29/33	0.51/0.62	18/22	3.30/4.83	208
HA8025B22M	Ball	220~240	50/60	0.06/0.06	11/10	2000/2200	20/21	0.42/0.49	15/17	2.70/2.60	208
HA8025S22M	Sleeve	220~240	50/60	0.06/0.06	11/10	2000/2200	20/21	0.42/0.49	15/17	2.70/2.60	208
HA8025B38H	Ball	380	50	0.07	14	2300	29	0.51	18	3.30	208
HA8025S38H	Sleeve	380	50	0.07	14	2300	29	0.51	18	3.30	208

Characteristic Curves



38

Notes: 1. Specifications subject to change without notice;
2. Design and provide products according to customer requirements.