

# Protistor® size 000/00 aR

500 to 690VAC (IEC) / 700VAC (UL)

## SEMICONDUCTOR PROTECTION FUSES

## SQUARE BODY HIGH-SPEED FUSE-LINKS AC PROTECTION



The 690/700V Protistor® fuse-links provide maximum flexibility in equipment design and ultimate protection for small power conversion equipment. These ultra-fast acting aR fuses have been engineered to provide state-of-the-art protection for semiconductors: diodes, thyristors and IGBT devices. They are assembled with die-cut elements embedded in solidified sand, which helps control arcing characteristics for a lower  $I^2t$  and high interrupting rating level. All contact surfaces are silver plated and all hardware is non-magnetic.

Each fuse-link can be equipped with a low voltage trip-indicator which can operate a field mountable microswitch.

## TECHNICAL DATA OVERVIEW

Voltage Range AC	500 ... 690 VAC
Ampere Range (A)	16 ... 400 A
Size per Standard	000, 00
Speed/Characteristic	aR
I.R. AC (IEC)	120 kA 200 kA

## FEATURES & BENEFITS

- aR Class according to IEC 60269-4 and VDE 636-23
- Very low  $I^2t$  for improved semiconductor protection
- Ultra fast acting
- Superior cycling capability

## APPLICATIONS

- Protection of inverters, motor drives, UPS systems and similar 690V or less equipments.

## STANDARDS

- IEC 60269-4 Compliance
- UL/CSA Recognized Component
- AC: UL Guide No. E76491



MERSEN reserves the right to change, update or correct, without notice, any information contained in this datasheet.

# Protistor® size 000/00 aR

500 to 690VAC (IEC) / 700VAC (UL)

## PRODUCT RANGE



DN000UB50V400L

### Size 000 DIN80, vertical body, for monitoring micro-contact

Catalog number	Item number	Rated voltage AC (IEC)	Rated current I <sub>n</sub>	Pre-arcing I <sup>2</sup> t	Clearing I <sup>2</sup> t at Rated Voltage	Rated breaking capacity AC	Power dissipation at I <sub>n</sub>	Package	Weight
DN000UB69V80L	T330182	690 V	80 A	390 A <sup>2</sup> s	2500 A <sup>2</sup> s	200 kA	21 W	6	0.13 kg
DN000UB69V100L	V330183	690 V	100 A	690 A <sup>2</sup> s	4200 A <sup>2</sup> s	200 kA	23 W	6	0.13 kg
DN000UB69V125L	W330184	690 V	125 A	1310 A <sup>2</sup> s	8900 A <sup>2</sup> s	200 kA	26 W	6	0.13 kg
DN000UB69V160L	X330185	690 V	160 A	2680 A <sup>2</sup> s	16000 A <sup>2</sup> s	200 kA	31 W	6	0.13 kg
DN000UB69V200L	Y330186	690 V	200 A	5250 A <sup>2</sup> s	31500 A <sup>2</sup> s	200 kA	36 W	6	0.13 kg
DN000UB69V250L	Z330187	690 V	250 A	9860 A <sup>2</sup> s	52000 A <sup>2</sup> s	200 kA	45 W	6	0.13 kg
DN000UB69V315L	A330188	690 V	315 A	15420 A <sup>2</sup> s	82000 A <sup>2</sup> s	200 kA	58 W	6	0.13 kg
DN000UB50V350L	B330189	500 V	350 A	22400 A <sup>2</sup> s	110000 A <sup>2</sup> s	120 kA	58 W	6	0.13 kg
DN000UB50V400L	F330193	500 V	400 A	33180 A <sup>2</sup> s	160000 A <sup>2</sup> s	120 kA	66 W	6	0.13 kg



BS000UB50V400

### Size 000 BS88, horizontal body, without indicator

Catalog number	Item number	Rated voltage AC (IEC)	Rated current I <sub>n</sub>	Pre-arcing I <sup>2</sup> t	Clearing I <sup>2</sup> t at Rated Voltage	Rated breaking capacity AC	Power dissipation at I <sub>n</sub>	Package	Weight
BS000UB69V75	B330051	690 V	75 A	340 A <sup>2</sup> s	2250 A <sup>2</sup> s	200 kA	20.5 W	3	0.14 kg
BS000UB69V80	C330052	690 V	80 A	390 A <sup>2</sup> s	2500 A <sup>2</sup> s	200 kA	21 W	3	0.14 kg
BS000UB69V100	D330053	690 V	100 A	690 A <sup>2</sup> s	4200 A <sup>2</sup> s	200 kA	23 W	3	0.14 kg
BS000UB69V110	E330100	690 V	110 A	950 A <sup>2</sup> s	6800 A <sup>2</sup> s	200 kA	24.5 W	3	0.14 kg
BS000UB69V125	E330054	690 V	125 A	1310 A <sup>2</sup> s	8900 A <sup>2</sup> s	200 kA	26 W	3	0.14 kg
BS000UB69V160	F330055	690 V	160 A	2680 A <sup>2</sup> s	16000 A <sup>2</sup> s	200 kA	31 W	3	0.14 kg
BS000UB69V200	G330056	690 V	200 A	5250 A <sup>2</sup> s	31500 A <sup>2</sup> s	200 kA	36 W	3	0.14 kg
BS000UB69V250	H330057	690 V	250 A	9860 A <sup>2</sup> s	52000 A <sup>2</sup> s	200 kA	45 W	3	0.14 kg
BS000UB69V315	J330058	690 V	315 A	15420 A <sup>2</sup> s	82000 A <sup>2</sup> s	200 kA	58 W	3	0.14 kg
BS000UB50V350	X330116	500 V	350 A	22400 A <sup>2</sup> s	110000 A <sup>2</sup> s	120 kA	58 W	3	0.14 kg
BS000UB50V400	G330194	500 V	400 A	33180 A <sup>2</sup> s	160000 A <sup>2</sup> s	120 kA	66 W	3	0.14 kg

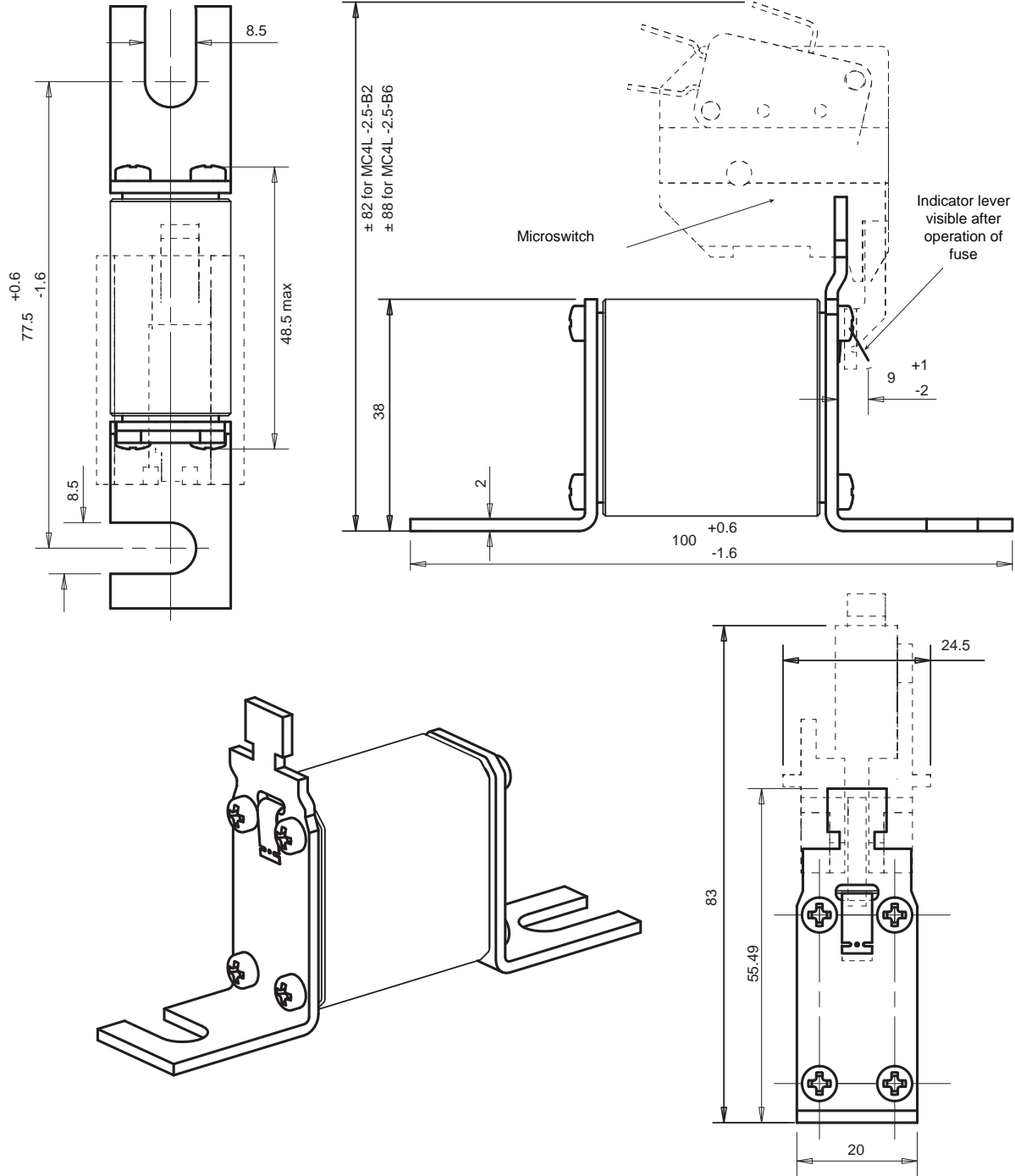
MERSEN reserves the right to change, update or correct, without notice, any information contained in this datasheet.

# Protistor® size 000/00 aR

500 to 690VAC (IEC) / 700VAC (UL)

## DIMENSIONS

### Size 000 for monitoring micro-contact



Dimensions in mm

MERSEN reserves the right to change, update or correct, without notice, any information contained in this datasheet.