

Microswitches for Protistor® fuse-links

Microswitches for fuses sizes 30 to 33 and 70 to 73

ACCESSORIES FOR FUSES & FUSE SYSTEMS

MICROSWITCHES



Microswitches systems are adapted to the following Mersen fuses only:

- PSC sizes 30, 31, 32, 33
- PSC sizes 2x32, 2x33
- PSC sizes 70, 71, 72, 73
- PSC sizes 2x72, 2x73 (except plain blades)
- PSC LR sizes 33, 2x33, 73, 2x73

Warning: microswitch systems exclusively designed for Protistor® fuses, fitted with a patented trip-indicator, saving use of EDV.

TECHNICAL DATA OVERVIEW

Ampere Range (A)	3 ... 10 A
Size per Standard	PSC sizes 30, 31, 32, 33, 2x32, 2x33, 70, 71, 72, 73, 2x72, 2x73
Rated impulse withstand voltage U_{imp}	14 kV 20 kV

FEATURES & BENEFITS

- Permanent indication of fuse state: conductive / blown
- Manual resetting
- Standard and low electrical level with different insulation levels
- BS type (low level microcontact) for use in corrosive atmosphere
- ET type “Etanche” for water tight (IP50)
- Each microswitch weights less than 100g: no fume and smoke grade required by EN45545 standard
- Fire class accordly to UL 94: H.B.

STANDARDS

- Series MS 3V 1-5UR and MS 7V 1-5 UR are UL Recognized

MERSEN reserves the right to change, update or correct, without notice, any information contained in this datasheet.

Microswitches for Protistor® fuse-links

Microswitches for fuses sizes 30 to 33 and 70 to 73

PRODUCT RANGE



MS3V1-5

Microswitches for fuse sizes 30-31-32-33, with striker

Catalog number	Item number	Rated voltage AC (IEC) ¹	Rated current I _n	AC voltage withstand test ²	Impulse withstand voltage U _{imp} 1.2/50μs ³	Indication System	Minimum positive operating voltage / current	Breaking capacity, Non inductive circuit, 30V / 110V / 250V	Breaking capacity, Inductive circuit: L/R=25ms, 30V / 110V / 250V	Weight
MS3V1-5	X310014	1000 V	10 A	8.5 kV	14 kV	Standard NO-NC	20V, 100mA	10A / 10A / 10A	10A / 10A / 10A	34 g
MS3V1-5UR	Y310038	1000 V	10 A	8.5 kV	14 kV	Standard NO-NC	20V, 100mA	10A / 10A / 10A	10A / 10A / 10A	34 g
MS3V1-5BS	W310013	1000 V	3 A	8.5 kV	14 kV	Low level NO-NC	10V, 10mA	3A / 3A / 3A	2A / 1A / 1A	34 g
MS3V1-9BS	T310011	1000 V	3 A	8.5 kV	14 kV	Double pole Low level	10V, 10mA	3A / 3A / 3A	2A / 1A / 1A	34 g
MS3V1-5ETANCHE	R310009	1000 V	3 A	8.5 kV	14 kV	Low level NO-NC IP 50	10V, 10mA	3A / 3A / 3A	2A / 1A / 1A	34 g

¹ Between power circuit and microswitch terminals

² Between power circuit and microswitch terminals as per IEC 60 and 694 and NFC 64010 (50/60 Hz 1 min duration in dry air)

³ Between power circuit and microswitch terminals U_{imp}: impulse voltage as per IEC 60947-1



MS7V1-5

Microswitches for fuses sizes 70-71-72-73, with striker

Catalog number	Item number	Rated voltage AC (IEC) ¹	Rated current I _n	AC voltage withstand test ²	Impulse withstand voltage U _{imp} 1.2/50μs ³	Indication System	Minimum positive operating voltage / current	Breaking capacity, Non inductive circuit, 30V / 110V / 250V	Breaking capacity, Inductive circuit: L/R=25ms, 30V / 110V / 250V	Weight
MS7V1-5	J310002	1500 V	10 A	12 kV	20 kV	Standard NO-NC	20V, 100mA	8A / 0.4A / 0.2A	4A / 0.2A / 0.1A	45 g
MS7V1-5UR	Z310039	1500 V	10 A	12 kV	20 kV	Standard NO-NC	20V, 100mA	8A / 0.4A / 0.2A	4A / 0.2A / 0.1A	45 g
MS7V1-5BSUR	K310003	1500 V	3 A	12 kV	20 kV	Low level NO-NC	10V, 10mA	3A / 0.5A / 0.25A	3A / 0.2A / 0.1A	45 g
MS7V1-9BS	P310007	1500 V	3 A	12 kV	20 kV	Double pole Low level	10V, 10mA	3A / 0.5A / 0.25A	3A / 0.2A / 0.1A	45 g
MS7V1-5ETANCHE	S310010	1500 V	3 A	12 kV	20 kV	Low level NO-NC IP 50	10V, 10mA	2A / 0.2A / -	3A / 0.5A / -	45 g

¹ Between power circuit and microswitch terminals

² Between power circuit and microswitch terminals as per IEC 60 and 694 and NFC 64010 (50/60 Hz 1 min duration in dry air)

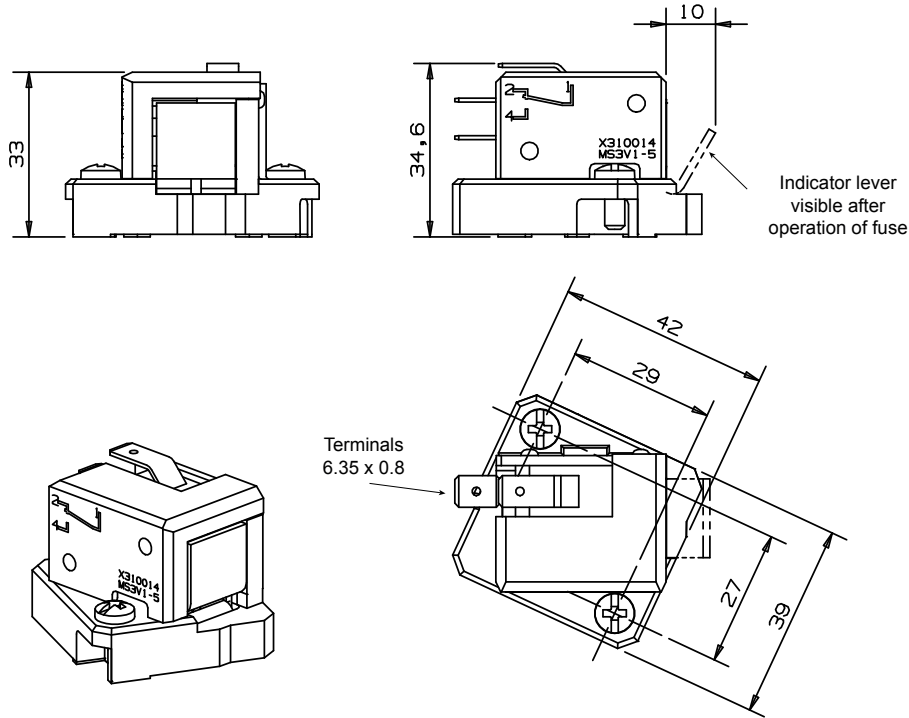
³ Between power circuit and microswitch terminals U_{imp}: impulse voltage as per IEC 60947-1

Microswitches for Protistor® fuse-links

Microswitches for fuses sizes 30 to 33 and 70 to 73

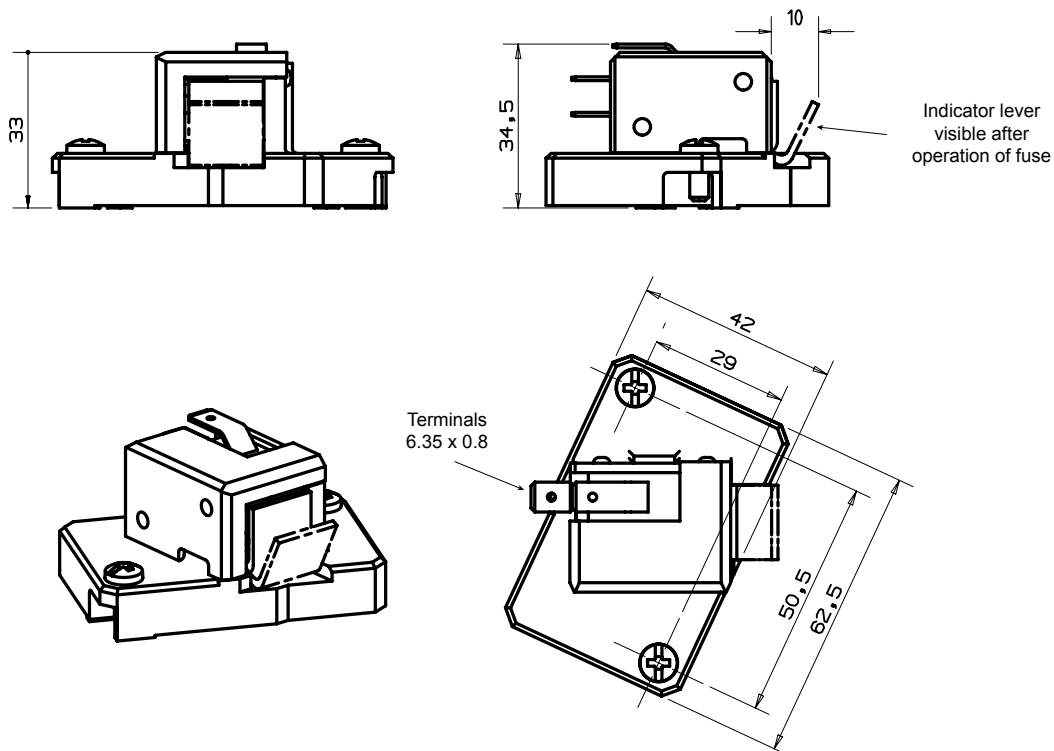
DIMENSIONS

Microswitch for PSC fuses sizes 30 to 33



Dimensions in mm

Microswitch for PSC fuses sizes 70 to 73



Dimensions in mm