

# Protistor® size 30 aR

600 - 690VAC (IEC) / 700VAC (UL)

## SEMICONDUCTOR PROTECTION FUSES

### SQUARE BODY HIGH-SPEED FUSE-LINKS AC PROTECTION



The 690/700V Protistor® fuse-links range provide maximum flexibility in equipment design and ultimate protection for today's power conversion equipment. These aR ultra-fast acting square body fuse-links are available in different body sizes, each size having multiple worldwide acceptable mounting styles.

They have been engineered to provide state-of-the-art protection for semiconductors: diodes, thyristors, IGBT and MOSFET devices. They are assembled with die-cut elements embedded in solidified sand, which helps control arcing characteristics for a lower  $I^2t$  and high interrupting rating level. All contact surfaces are silver plated and all hardware is non-magnetic.

Each fuse-link can be equipped with a low voltage trip-indicator which can operate a field mountable microswitch.

#### TECHNICAL DATA OVERVIEW

Voltage Range AC	600 ... 690 VAC
Ampere Range (A)	50 ... 630 A
Speed/Characteristic	aR
I.R. AC (IEC)	170 kA 200 kA
Product Size	30

#### FEATURES & BENEFITS

- Multiple body sizes and terminals or blades combination
- aR Class according to IEC 60269-4 and VDE 636-23
- Very low  $I^2t$  for improved semiconductor protection
- Ultra fast acting
- Current limiting
- Superior cycling capability

#### APPLICATIONS

- Protection of inverters, motor drives, UPS systems and similar 690V or less equipments.

#### STANDARDS

- IEC 60269-4 Compliance
- UL/CSA Recognized E76491
- CCC GB 13539.4



MERSEN reserves the right to change, update or correct, without notice, any information contained in this datasheet.

# Protistor® size 30 aR

600 - 690VAC (IEC) / 700VAC (UL)

## PRODUCT RANGE



PC30UD69V100TF

### Size 30 type TTF M8 threaded terminals

Catalog number	Item number	Rated voltage AC (IEC)	Rated voltage AC (UL)	Rated current I <sub>n</sub>	Pre-arcing I <sup>2</sup> t	Clearing I <sup>2</sup> t at Rated Voltage	Rated breaking capacity AC	Power dissipation at I <sub>n</sub>	Package	Weight
PC30UD69V50TF	S300373	690 V	700 V	50 A	0.116 kA <sup>2</sup> s	0.68 kA <sup>2</sup> s	200 kA	9 W	3	0.25 kg
PC30UD69V63TF	M300000	690 V	700 V	63 A	0.2 kA <sup>2</sup> s	1.2 kA <sup>2</sup> s	200 kA	14 W	3	0.25 kg
PC30UD69V80TF	S300051	690 V	700 V	80 A	0.33 kA <sup>2</sup> s	1.9 kA <sup>2</sup> s	200 kA	19 W	3	0.25 kg
PC30UD69V100TF	T300052	690 V	700 V	100 A	0.47 kA <sup>2</sup> s	2.7 kA <sup>2</sup> s	200 kA	26 W	3	0.25 kg
PC30UD69V125TF	V300053	690 V	700 V	125 A	0.85 kA <sup>2</sup> s	4.9 kA <sup>2</sup> s	200 kA	30 W	3	0.27 kg
PC30UD69V160TF	W300054	690 V	700 V	160 A	1.6 kA <sup>2</sup> s	9.2 kA <sup>2</sup> s	200 kA	37 W	3	0.27 kg
PC30UD69V200TF	X300055	690 V	700 V	200 A	3 kA <sup>2</sup> s	16.7 kA <sup>2</sup> s	200 kA	42 W	3	0.27 kg
PC30UD69V250TF	Y300056	690 V	700 V	250 A	5.8 kA <sup>2</sup> s	32.4 kA <sup>2</sup> s	200 kA	48 W	3	0.27 kg
PC30UD69V315TF	Z300057	690 V	700 V	315 A	12 kA <sup>2</sup> s	67 kA <sup>2</sup> s	200 kA	53 W	3	0.25 kg
PC30UD69V350TF	A300058	690 V	700 V	350 A	15.5 kA <sup>2</sup> s	86 kA <sup>2</sup> s	200 kA	57 W	3	0.25 kg
PC30UD69V400TF	B300059	690 V	700 V	400 A	23 kA <sup>2</sup> s	130 kA <sup>2</sup> s	200 kA	60 W	3	0.27 kg
PC30UD69V450TF	V300398	690 V	700 V	450 A	26 kA <sup>2</sup> s	165 kA <sup>2</sup> s	200 kA	80 W	3	0.27 kg
PC30UD69V500TF	W300399	690 V	700 V	500 A	41 kA <sup>2</sup> s	264 kA <sup>2</sup> s	200 kA	80 W	3	0.25 kg
PC30UD69V550TF	X300400	690 V	700 V	550 A	52 kA <sup>2</sup> s	330 kA <sup>2</sup> s	200 kA	80 W	3	0.25 kg
PC30UD60V630TF	L301770	600 V	650 V	630 A	84 kA <sup>2</sup> s	450 kA <sup>2</sup> s	200 kA	85 W	3	0.25 kg

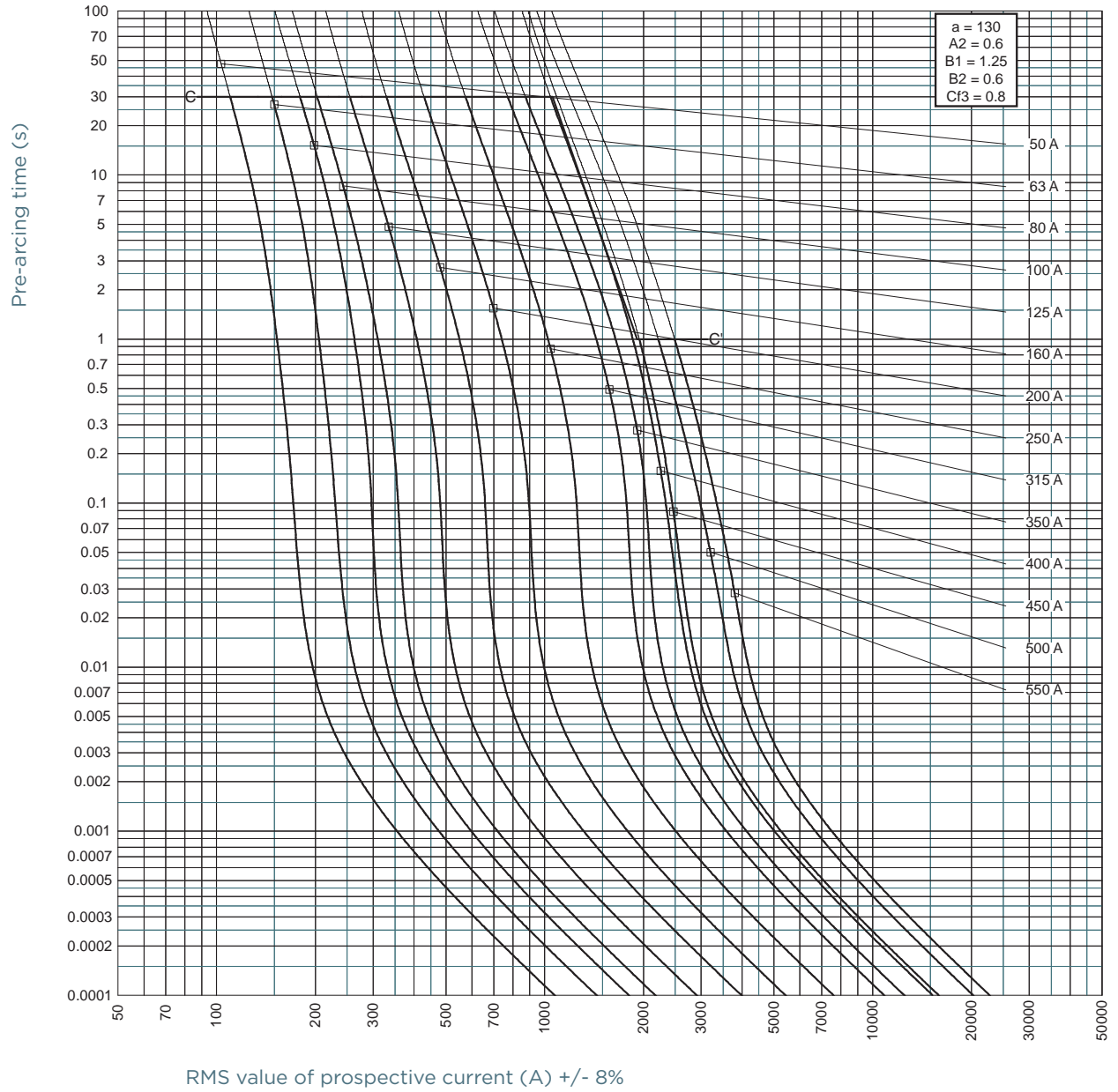
### Size 30 type TTI 5/16"-18 unified coarse threaded terminals

Catalog number	Item number	Rated voltage AC (IEC)	Rated voltage AC (UL)	Rated current I <sub>n</sub>	Pre-arcing I <sup>2</sup> t	Clearing I <sup>2</sup> t at Rated Voltage	Rated breaking capacity AC	Power dissipation at I <sub>n</sub>	Package	Weight
A070UD30TTI50	V302744	690 V	700 V	50 A	0.116 kA <sup>2</sup> s	0.68 kA <sup>2</sup> s	200 kA	9 W	3	0.26 kg
A070UD30TTI63	A301967	690 V	700 V	63 A	0.2 kA <sup>2</sup> s	1.2 kA <sup>2</sup> s	200 kA	14 W	3	0.26 kg
A070UD30TTI80	V301962	690 V	700 V	80 A	0.33 kA <sup>2</sup> s	1.9 kA <sup>2</sup> s	200 kA	19 W	3	0.26 kg
A070UD30TTI100	W300744	690 V	700 V	100 A	0.47 kA <sup>2</sup> s	2.7 kA <sup>2</sup> s	200 kA	26 W	3	0.26 kg
A070UD30TTI125	G300708	690 V	700 V	125 A	0.85 kA <sup>2</sup> s	4.9 kA <sup>2</sup> s	200 kA	30 W	3	0.26 kg
A070UD30TTI160	N300576	690 V	700 V	160 A	1.6 kA <sup>2</sup> s	9.2 kA <sup>2</sup> s	200 kA	37 W	3	0.26 kg
A070UD30TTI200	P300577	690 V	700 V	200 A	3 kA <sup>2</sup> s	16.7 kA <sup>2</sup> s	200 kA	42 W	3	0.26 kg
A070UD30TTI250	Q300578	690 V	700 V	250 A	5.8 kA <sup>2</sup> s	32.4 kA <sup>2</sup> s	200 kA	48 W	3	0.26 kg
A070UD30TTI315	R300579	690 V	700 V	315 A	12 kA <sup>2</sup> s	67 kA <sup>2</sup> s	200 kA	53 W	3	0.26 kg
A070UD30TTI350	S300580	690 V	700 V	350 A	15.5 kA <sup>2</sup> s	86 kA <sup>2</sup> s	200 kA	57 W	3	0.26 kg
A070UD30TTI400	T300581	690 V	700 V	400 A	23 kA <sup>2</sup> s	130 kA <sup>2</sup> s	200 kA	60 W	3	0.26 kg
A070UD30TTI450	V300582	690 V	700 V	450 A	26 kA <sup>2</sup> s	165 kA <sup>2</sup> s	200 kA	80 W	3	0.26 kg
A070UD30TTI500	W300583	690 V	700 V	500 A	41 kA <sup>2</sup> s	264 kA <sup>2</sup> s	200 kA	80 W	3	0.26 kg
A070UD30TTI550	X300584	690 V	700 V	550 A	52 kA <sup>2</sup> s	330 kA <sup>2</sup> s	200 kA	80 W	3	0.26 kg
A065UD30TTI630	A302703	600 V	650 V	630 A	84 kA <sup>2</sup> s	450 kA <sup>2</sup> s	200 kA	85 W	3	0.26 kg

MERSEN reserves the right to change, update or correct, without notice, any information contained in this datasheet.

TIME CURRENT CHARACTERISTIC CURVES

Size 30 690V



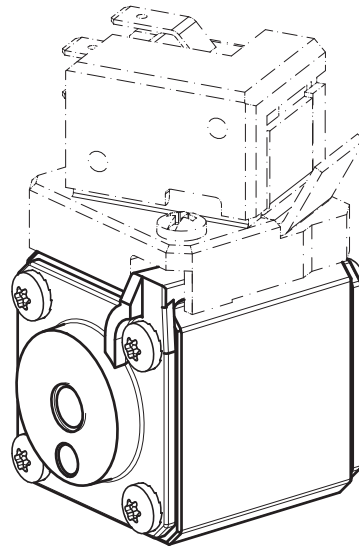
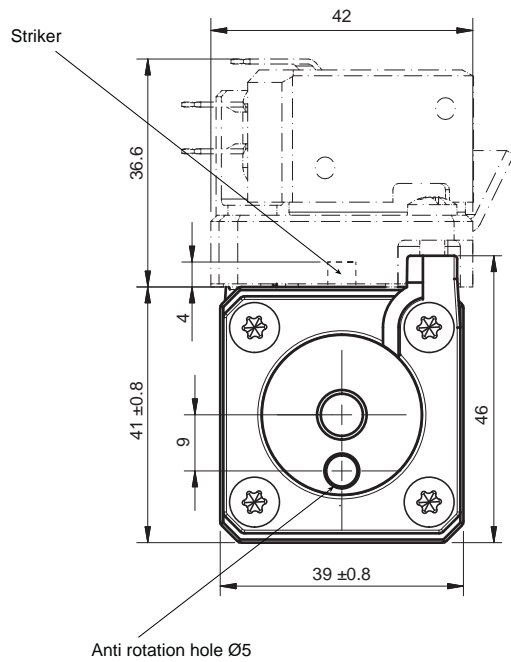
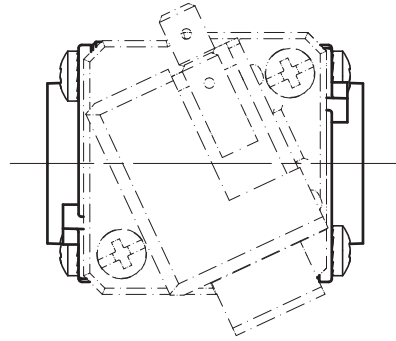
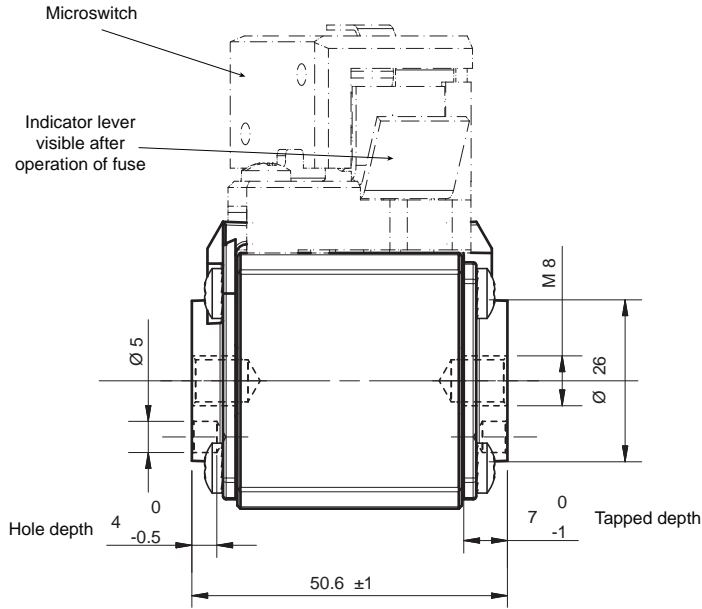
MERSEN reserves the right to change, update or correct, without notice, any information contained in this datasheet.

# Protistor® size 30 aR

600 - 690VAC (IEC) / 700VAC (UL)

## DIMENSIONS

### Size 30 type TTF (102920)



Dimensions in mm

MERSEN reserves the right to change, update or correct, without notice, any information contained in this datasheet.