

Protistor® size 33 aR

450 to 690VAC (IEC) / 700VAC (UL)

SEMICONDUCTOR PROTECTION FUSES

SQUARE BODY HIGH-SPEED FUSE-LINKS AC PROTECTION



The 690/700V Protistor® fuse-links provide maximum flexibility in equipment design and ultimate protection for today's power conversion equipment. These aR ultra-fast acting square body fuse-links are available in different body sizes, each size having multiple worldwide acceptable mounting styles.

The Protistor® have been engineered to provide state-of-the-art protection for semiconductors: diodes, thyristors and IGBT devices. Fuses are assembled with die-cut elements embedded in solidified sand, which helps control arcing characteristics for a lower I^2t and high interrupting rating level. All contact surfaces are silver plated and all hardware is non-magnetic.

Each fuse-link can be equipped with a low voltage trip-indicator which can operate a field mountable microswitch.

TECHNICAL DATA OVERVIEW

Voltage Range AC	450 ... 690 VAC
Ampere Range (A)	450 ... 2500 A
Speed/Characteristic	aR
I.R. AC	110 ... 200 kA
Product Size	33

FEATURES & BENEFITS

- Multiple body sizes and terminals or blades combination
- aR Class according to IEC 60269-4 and VDE 636-23
- Very low I^2t for improved semiconductor protection
- Ultra fast acting
- Current limiting
- Superior cycling capability

APPLICATIONS

- Protection of inverters, motor drives, UPS systems and similar 690V or less equipments.

STANDARDS

- IEC 60269-4 Compliance
- UL/CSA Recognized E76491
- CCC 1359.4



Protistor® size 33 aR

450 to 690VAC (IEC) / 700VAC (UL)

PRODUCT RANGE



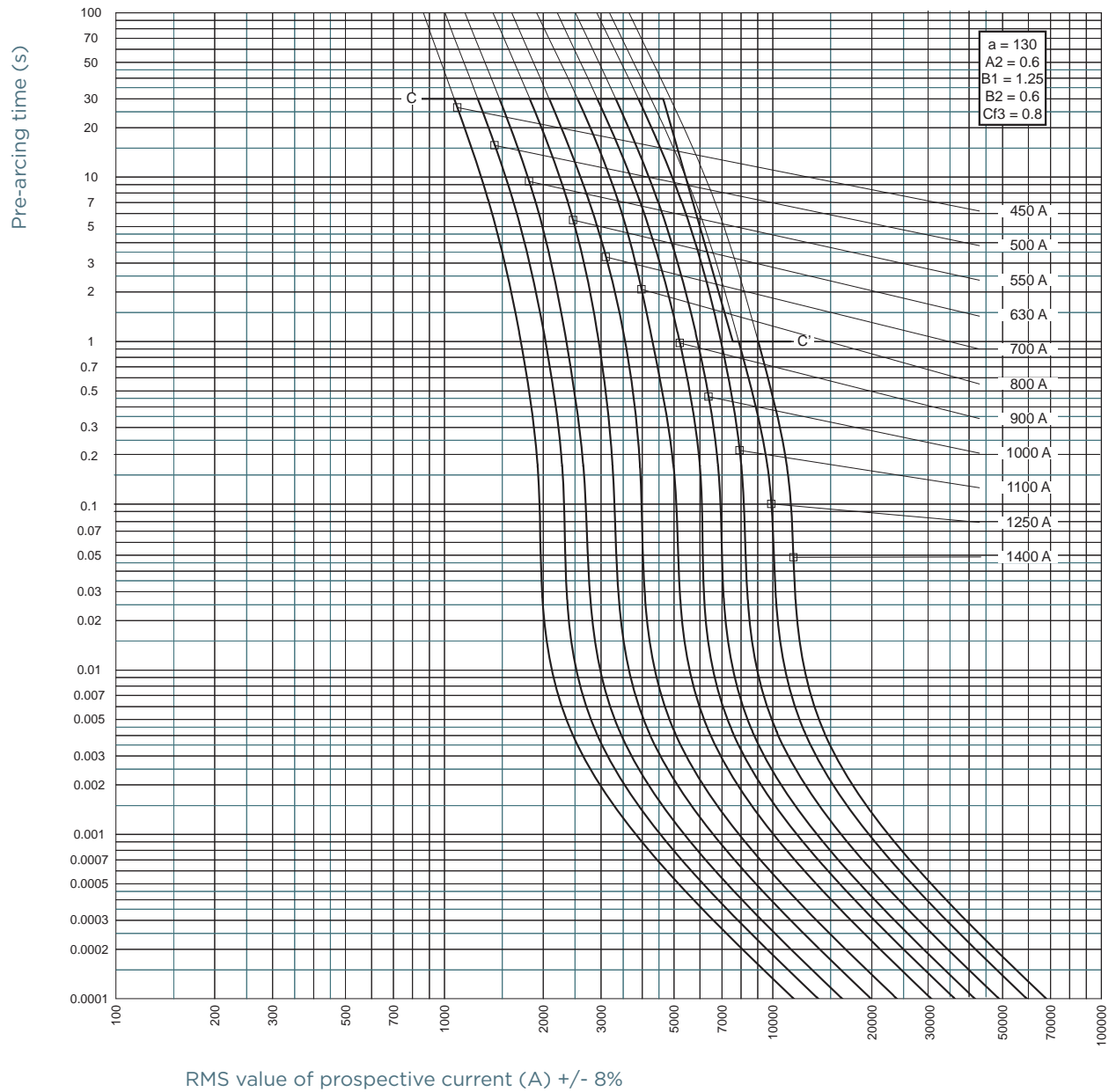
PC33UD69V1400TF

Size 33 type TTF M12 threaded terminals

Catalog number	Item number	Rated voltage AC (IEC)	Rated voltage AC (UL)	Rated current I _n	Pre-arcing I ² t	Clearing I ² t at Rated Voltage	Rated breaking capacity AC	Power dissipation at I _n	Package	Weight
Standard Terminal										
PC33UD69V450TF	W302170	690 V	700 V	450 A	13.45 kA ² s	87 kA ² s	200 kA	84 W	3	0.81 kg
PC33UD69V500TF	V300076	690 V	700 V	500 A	19 kA ² s	110 kA ² s	200 kA	105 W	3	0.81 kg
PC33UD69V550TF	W300077	690 V	700 V	550 A	27 kA ² s	155 kA ² s	200 kA	105 W	3	0.81 kg
PC33UD69V630TF	X300078	690 V	700 V	630 A	40 kA ² s	230 kA ² s	200 kA	110 W	3	0.81 kg
PC33UD69V700TF	Y300079	690 V	700 V	700 A	57 kA ² s	330 kA ² s	200 kA	115 W	3	0.81 kg
PC33UD69V800TF	Z300080	690 V	700 V	800 A	93 kA ² s	540 kA ² s	200 kA	120 W	3	0.81 kg
PC33UD69V900TF	A300081	690 V	700 V	900 A	130 kA ² s	770 kA ² s	200 kA	120 W	3	0.81 kg
PC33UD69V1000TF	B300082	690 V	700 V	1000 A	170 kA ² s	990 kA ² s	200 kA	135 W	3	0.81 kg
PC33UD69V1100TF	C300083	690 V	700 V	1100 A	240 kA ² s	1390 kA ² s	200 kA	135 W	3	0.81 kg
Reinforced Terminal										
PC33UD69V1250TF	D300084	690 V	700 V	1250 A	355 kA ² s	2053 kA ² s	200 kA	150 W	3	0.91 kg
PC33UD69V1400TF	E300085	690 V	700 V	1400 A	465 kA ² s	2700 kA ² s	200 kA	160 W	3	0.91 kg
PC33UD60V1500TF	Y300585	600 V	650 V	1500 A	470 kA ² s	2500 kA ² s	200 kA	210 W	3	0.91 kg
PC33UD60V1600TF	Z300586	600 V	650 V	1600 A	555 kA ² s	2900 kA ² s	200 kA	210 W	3	0.91 kg
PC33UD60V1800TF	A300587	600 V	650 V	1800 A	720 kA ² s	3870 kA ² s	200 kA	225 W	3	0.91 kg
PC33UD55V2000TF	B300588	550 V	600 V	2000 A	950 kA ² s	4500 kA ² s	200 kA	250 W	3	0.91 kg
PC33UD50V2250TF	K300757	500 V	550 V	2250 A	1250 kA ² s	5160 kA ² s	200 kA	280 W	3	0.91 kg
PC33UD45V2500TF	L300758	450 V	500 V	2500 A	1870 kA ² s	6540 kA ² s	200 kA	280 W	3	0.91 kg

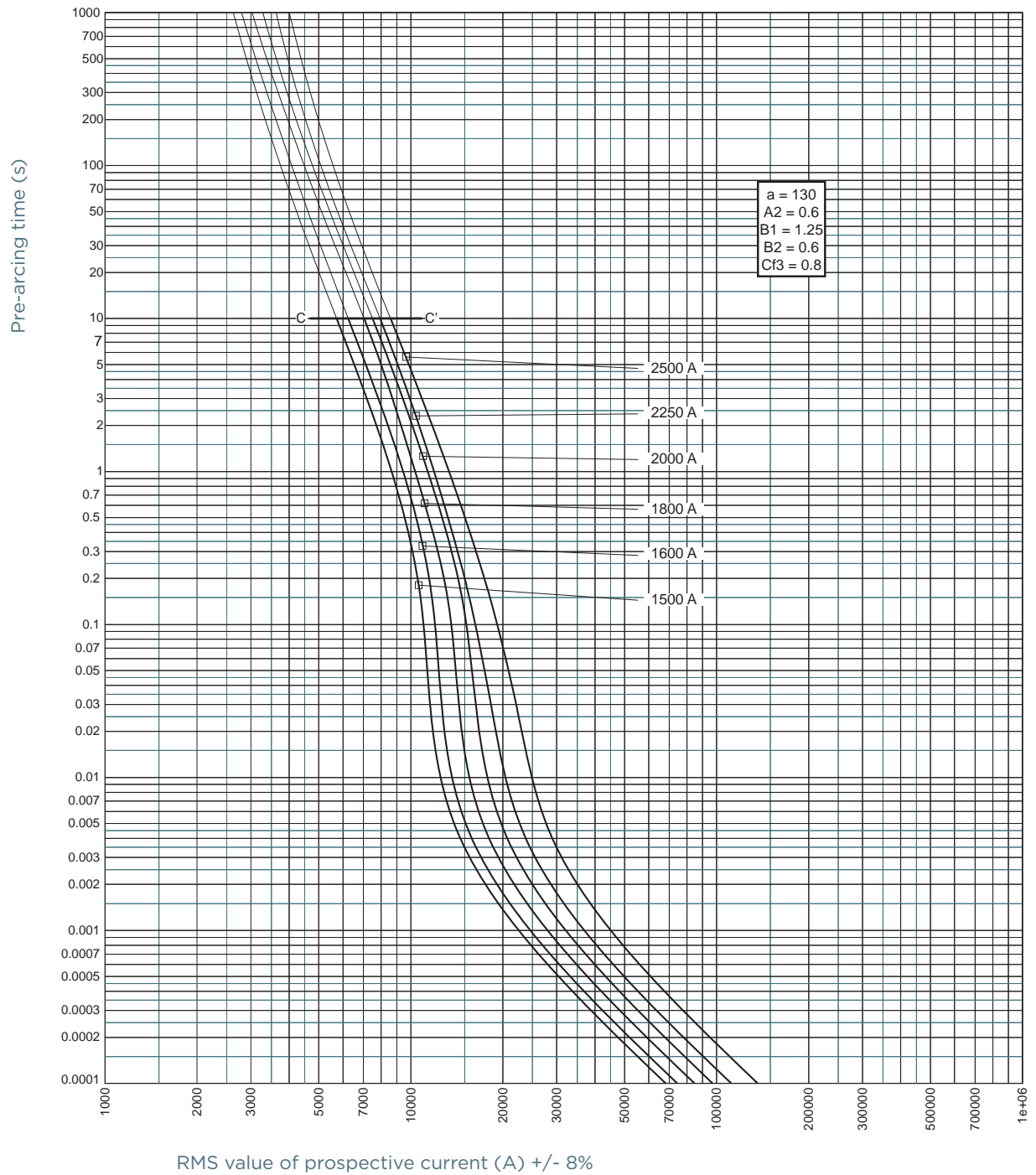
MERSEN reserves the right to change, update or correct, without notice, any information contained in this datasheet.

TIME CURRENT CHARACTERISTIC CURVES



MERSEN reserves the right to change, update or correct, without notice, any information contained in this datasheet.

TIME CURRENT CHARACTERISTIC CURVES



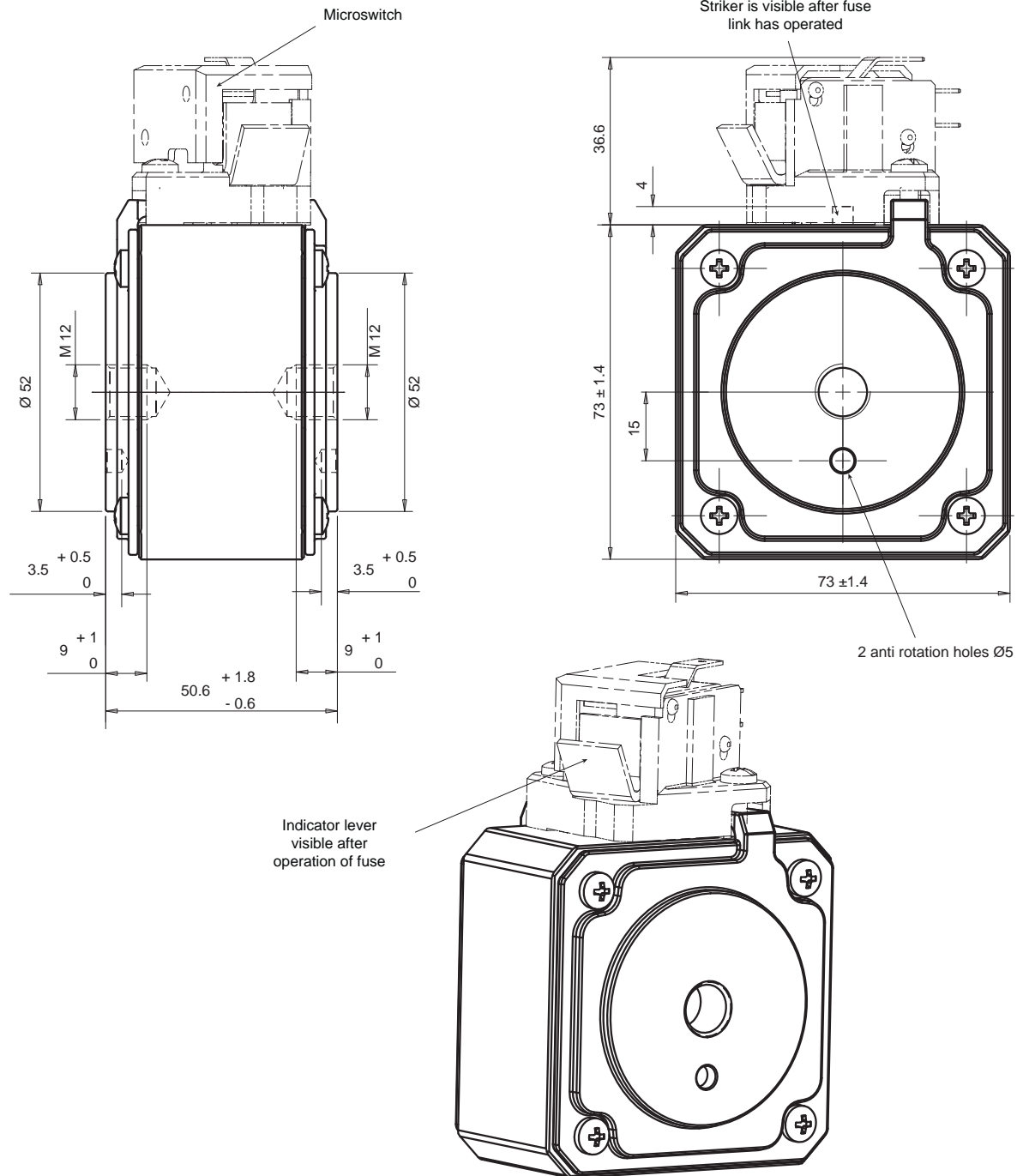
MERSEN reserves the right to change, update or correct, without notice, any information contained in this datasheet.

Protistor® size 33 aR

450 to 690VAC (IEC) / 700VAC (UL)

DIMENSIONS

size 33 type TTF reinforced (108835)



Dimensions in mm

Protistor® size 33 aR

450 to 690VAC (IEC) / 700VAC (UL)

APPENDIX

Index

Catalog number	Item number	Description 1	Page
A070UD33LI800	P300232	A 070 URD 33 LI 0800	4
A070UD33LI900	Q300233	A 070 URD 33 LI 0900	4
A070UD33LI1000	R300234	A 070 URD 33 LI 1000	4
A070UD33LI1100	S300235	A 070 URD 33 LI 1100	4
A070UD33LI1250	T300236	A 070 URD 33 LI 1250	4
A070UD33LI1400	V300237	A 070 URD 33 LI 1400	4
A065UD33LI1500	P300531	A 060 URD 33 LI 1500	4
A060UD33LI2000	J301078	A 060 URD 33 LI 2000	4
A065UD33LI1600	G301076	A 065 URD 33 LI 1600	4
A065UD33LI1800	H301077	A 065 URD 33 LI 1800	4
PC33UD69V1250PA	V302721C	-	4
PC33UD69V1400PA	P1028044C	-	4
PC33UD69V1600PA	W302722C	-	4
PC33UD69V450TF	W302170	6,9 URD 33 TT F 0500	5
PC33UD69V500TF	V300076	6,9 URD 33 TT F 0500	5
PC33UD69V550TF	W300077	6,9 URD 33 TT F 0550	5
PC33UD69V630TF	X300078	6,9 URD 33 TT F 0630	5
PC33UD69V700TF	Y300079	6,9 URD 33 TT F 0700	5
PC33UD69V800TF	Z300080	6,9 URD 33 TT F 0800	5
PC33UD69V900TF	A300081	6,9 URD 33 TT F 0900	5
PC33UD69V1000TF	B300082	6,9 URD 33 TT F 1000	5
PC33UD69V1100TF	C300083	6,9 URD 33 TT F 1100	5
PC33UD69V1250TF	D300084	6,9 URD 33 TT F 1250	5
PC33UD69V1400TF	E300085	6,9 URD 33 TT F 1400	5
PC33UD60V1500TF	Y300585	6 URD 33 TT F 1500	5
PC33UD60V1600TF	Z300586	6 URD 33 TT F 1600	5
PC33UD60V1800TF	A300587	6 URD 33 TT F 1800	5
PC33UD55V2000TF	B300588	5,5 URD 33 TT F 2000	5
PC33UD50V2250TF	K300757	5 URD 33 TT F 2250	5
PC33UD45V2500TF	L300758	4,5 URD 33 TTF 2500	5
A070UD33TTI450	X302171	A070 URD 33 TTI 0450	6
A070UD33TTI500	X300446	A070 URD 33 TTI 0500	6
A070UD33TTI550	Y300447	A070 URD 33 TTI 0550	6
A070UD33TTI630	Z300448	A070 URD 33 TTI 0630	6
A070UD33TTI700	A300449	A070 URD 33 TTI 0700	6
A070UD33TTI800	T300443	A070 URD 33 TTI 0800	6
A070UD33TTI900	B300450	A070 URD 33 TTI 0900	6
A070UD33TTI1000	C300451	A070 URD 33 TTI 1000	6
A070UD33TTI1100	D300452	A070 URD 33 TTI 1100	6
A070UD33TTI1250	E300453	A070 URD 33 TTI 1250	6
A070UD33TTI1400	F300454	A070 URD 33 TTI 1400	6
A065UD33TTI1500	F302064	A065URD33TTI1500	6
A065UD33TTI1600	S301086	A065 URD 33 TTI 1600	6
A065UD33TTI1800	T301087	A065 URD 33 TTI 1800	6
A060UD33TTI2000	V301088	A060 URD 33 TTI 2000	6
A055UD33TTI2250	W301089	A055 URD 33 TTI 2250	6
A050UD33TTI2500	Y300838	A050 URD 33 TTI 2500	6

MERSEN reserves the right to change, update or correct, without notice, any information contained in this datasheet.