

# Protistor® size 33 aR

450 to 690VAC (IEC) / 700VAC (UL)

## SEMICONDUCTOR PROTECTION FUSES

## SQUARE BODY HIGH-SPEED FUSE-LINKS AC PROTECTION



The 690/700V Protistor® fuse-links provide maximum flexibility in equipment design and ultimate protection for today's power conversion equipment. These aR ultra-fast acting square body fuse-links are available in different body sizes, each size having multiple worldwide acceptable mounting styles.

The Protistor® have been engineered to provide state-of-the-art protection for semiconductors: diodes, thyristors and IGBT devices. Fuses are assembled with die-cut elements embedded in solidified sand, which helps control arcing characteristics for a lower  $I^2t$  and high interrupting rating level. All contact surfaces are silver plated and all hardware is non-magnetic.

Each fuse-link can be equipped with a low voltage trip-indicator which can operate a field mountable microswitch.

## TECHNICAL DATA OVERVIEW

|                      |                 |
|----------------------|-----------------|
| Voltage Range AC     | 450 ... 690 VAC |
| Ampere Range (A)     | 450 ... 2500 A  |
| Speed/Characteristic | aR              |
| I.R. AC              | 110 ... 200 kA  |
| Product Size         | 33              |

## FEATURES & BENEFITS

- Multiple body sizes and terminals or blades combination
- aR Class according to IEC 60269-4 and VDE 636-23
- Very low  $I^2t$  for improved semiconductor protection
- Ultra fast acting
- Current limiting
- Superior cycling capability

## APPLICATIONS

- Protection of inverters, motor drives, UPS systems and similar 690V or less equipments.

## STANDARDS

- IEC 60269-4 Compliance
- UL/CSA Recognized E76491 : see « UL certified » status given in Product Range table
- CCC GB 13539.4 for Asian market only



# Protistor® size 33 aR

450 to 690VAC (IEC) / 700VAC (UL)

## PRODUCT RANGE



PC33UD69V1400TF

### Size 33 type TTF M12 threaded terminals

| Catalog number             | Item number | Rated voltage AC (IEC) | Rated voltage AC (UL) | Rated current I <sub>n</sub> | Pre-arcing I <sup>2</sup> t | Clearing I <sup>2</sup> t at Rated Voltage | Rated breaking capacity AC | Power dissipation at I <sub>n</sub> | UL certified | Package | Weight  |
|----------------------------|-------------|------------------------|-----------------------|------------------------------|-----------------------------|--|----------------------------|-------------------------------------|--------------|---------|---------|
| <b>Standard Terminal</b>   |             |                        |                       |                              |                             |  |                            |                                     |              |         |         |
| PC33UD69V450TF             | W302170     | 690 V                  | 700 V                 | 450 A                        | 13.45 kA <sup>2</sup> s     | 87 kA <sup>2</sup> s                       | 200 kA                     | 84 W                                | ✓            | 3       | 0.81 kg |
| PC33UD69V500TF             | V300076     | 690 V                  | 700 V                 | 500 A                        | 19 kA <sup>2</sup> s        | 110 kA <sup>2</sup> s                      | 200 kA                     | 105 W                               | ✓            | 3       | 0.81 kg |
| PC33UD69V550TF             | W300077     | 690 V                  | 700 V                 | 550 A                        | 27 kA <sup>2</sup> s        | 155 kA <sup>2</sup> s                      | 200 kA                     | 105 W                               | ✓            | 3       | 0.81 kg |
| PC33UD69V630TF             | X300078     | 690 V                  | 700 V                 | 630 A                        | 40 kA <sup>2</sup> s        | 230 kA <sup>2</sup> s                      | 200 kA                     | 110 W                               | ✓            | 3       | 0.81 kg |
| PC33UD69V700TF             | Y300079     | 690 V                  | 700 V                 | 700 A                        | 57 kA <sup>2</sup> s        | 330 kA <sup>2</sup> s                      | 200 kA                     | 115 W                               | ✓            | 3       | 0.81 kg |
| PC33UD69V800TF             | Z300080     | 690 V                  | 700 V                 | 800 A                        | 93 kA <sup>2</sup> s        | 540 kA <sup>2</sup> s                      | 200 kA                     | 120 W                               | ✓            | 3       | 0.81 kg |
| PC33UD69V900TF             | A300081     | 690 V                  | 700 V                 | 900 A                        | 130 kA <sup>2</sup> s       | 770 kA <sup>2</sup> s                      | 200 kA                     | 120 W                               | ✓            | 3       | 0.81 kg |
| PC33UD69V1000TF            | B300082     | 690 V                  | 700 V                 | 1000 A                       | 170 kA <sup>2</sup> s       | 990 kA <sup>2</sup> s                      | 200 kA                     | 135 W                               | ✓            | 3       | 0.81 kg |
| PC33UD69V1100TF            | C300083     | 690 V                  | 700 V                 | 1100 A                       | 240 kA <sup>2</sup> s       | 1390 kA <sup>2</sup> s                     | 200 kA                     | 135 W                               | ✓            | 3       | 0.81 kg |
| <b>Reinforced Terminal</b> |             |                        |                       |                              |                             |  |                            |                                     |              |         |         |
| PC33UD69V1250TF            | D300084     | 690 V                  | 700 V                 | 1250 A                       | 355 kA <sup>2</sup> s       | 2053 kA <sup>2</sup> s                     | 200 kA                     | 150 W                               | ✓            | 3       | 0.81 kg |
| PC33UD69V1400TF            | E300085     | 690 V                  | 700 V                 | 1400 A                       | 465 kA <sup>2</sup> s       | 2700 kA <sup>2</sup> s                     | 200 kA                     | 160 W                               | ✓            | 3       | 0.81 kg |
| PC33UD60V1500TF            | Y300585     | 600 V                  | 650 V                 | 1500 A                       | 470 kA <sup>2</sup> s       | 2500 kA <sup>2</sup> s                     | 200 kA                     | 210 W                               | ✓            | 3       | 0.81 kg |
| PC33UD60V1600TF            | Z300586     | 600 V                  | 650 V                 | 1600 A                       | 555 kA <sup>2</sup> s       | 2900 kA <sup>2</sup> s                     | 200 kA                     | 210 W                               | ✓            | 3       | 0.81 kg |
| PC33UD60V1800TF            | A300587     | 600 V                  | 650 V                 | 1800 A                       | 720 kA <sup>2</sup> s       | 3870 kA <sup>2</sup> s                     | 200 kA                     | 225 W                               | ✓            | 3       | 0.81 kg |
| PC33UD55V2000TF            | B300588     | 550 V                  | 600 V                 | 2000 A                       | 950 kA <sup>2</sup> s       | 4500 kA <sup>2</sup> s                     | 200 kA                     | 250 W                               | ✓            | 3       | 0.81 kg |
| PC33UD50V2250TF            | K300757     | 500 V                  | 550 V                 | 2250 A                       | 1250 kA <sup>2</sup> s      | 5160 kA <sup>2</sup> s                     | 200 kA                     | 280 W                               | ✓            | 3       | 0.81 kg |
| PC33UD45V2500TF            | L300758     | 450 V                  | 500 V                 | 2500 A                       | 1870 kA <sup>2</sup> s      | 6540 kA <sup>2</sup> s                     | 200 kA                     | 280 W                               | ✓            | 3       | 0.81 kg |

# Protistor® size 33 aR

450 to 690VAC (IEC) / 700VAC (UL)

## PRODUCT RANGE



A070UD33TTI450

### Size 33 type TTI 1/2in - 13 unified coarse threaded terminals

| Catalog number             | Item number | Rated voltage AC (IEC) | Rated voltage AC (UL) | Rated current I <sub>n</sub> | Pre-arcing I <sup>2</sup> t | Clearing I <sup>2</sup> t at Rated Voltage | Rated breaking capacity AC | Power dissipation at I <sub>n</sub> | UL certified | Package | Weight  |
|----------------------------|-------------|------------------------|-----------------------|------------------------------|-----------------------------|--|----------------------------|-------------------------------------|--------------|---------|---------|
| <b>Standard Terminal</b>   |             |                        |                       |                              |                             |  |                            |                                     |              |         |         |
| A070UD33TTI450             | X302171     | 690 V                  | 700 V                 | 450 A                        | 13.45 kA <sup>2</sup> s     | 87 kA <sup>2</sup> s                       | 200 kA                     | 84 W                                | ✓            | 3       | 0.89 kg |
| A070UD33TTI500             | X300446     | 690 V                  | 700 V                 | 500 A                        | 19 kA <sup>2</sup> s        | 110 kA <sup>2</sup> s                      | 200 kA                     | 105 W                               | ✓            | 3       | 0.89 kg |
| A070UD33TTI550             | Y300447     | 690 V                  | 700 V                 | 550 A                        | 27 kA <sup>2</sup> s        | 155 kA <sup>2</sup> s                      | 200 kA                     | 105 W                               | ✓            | 3       | 0.89 kg |
| A070UD33TTI630             | Z300448     | 690 V                  | 700 V                 | 630 A                        | 40 kA <sup>2</sup> s        | 230 kA <sup>2</sup> s                      | 200 kA                     | 110 W                               | ✓            | 3       | 0.89 kg |
| A070UD33TTI700             | A300449     | 690 V                  | 700 V                 | 700 A                        | 57 kA <sup>2</sup> s        | 330 kA <sup>2</sup> s                      | 200 kA                     | 115 W                               | ✓            | 3       | 0.89 kg |
| A070UD33TTI800             | T300443     | 690 V                  | 700 V                 | 800 A                        | 93 kA <sup>2</sup> s        | 540 kA <sup>2</sup> s                      | 200 kA                     | 120 W                               | ✓            | 3       | 0.89 kg |
| A070UD33TTI900             | B300450     | 690 V                  | 700 V                 | 900 A                        | 130 kA <sup>2</sup> s       | 770 kA <sup>2</sup> s                      | 200 kA                     | 120 W                               | ✓            | 3       | 0.89 kg |
| A070UD33TTI1000            | C300451     | 690 V                  | 700 V                 | 1000 A                       | 170 kA <sup>2</sup> s       | 990 kA <sup>2</sup> s                      | 200 kA                     | 135 W                               | ✓            | 3       | 0.89 kg |
| A070UD33TTI1100            | D300452     | 690 V                  | 700 V                 | 1100 A                       | 240 kA <sup>2</sup> s       | 1390 kA <sup>2</sup> s                     | 200 kA                     | 135 W                               | ✓            | 3       | 0.89 kg |
| <b>Reinforced Terminal</b> |             |                        |                       |                              |                             |  |                            |                                     |              |         |         |
| A070UD33TTI1250            | E300453     | 690 V                  | 700 V                 | 1250 A                       | 355 kA <sup>2</sup> s       | 2053 kA <sup>2</sup> s                     | 200 kA                     | 150 W                               | ✓            | 3       | 0.89 kg |
| A070UD33TTI1400            | F300454     | 690 V                  | 700 V                 | 1400 A                       | 465 kA <sup>2</sup> s       | 2700 kA <sup>2</sup> s                     | 200 kA                     | 160 W                               | ✓            | 3       | 0.89 kg |
| A065UD33TTI1500            | F302064     | 600 V                  | 650 V                 | 1500 A                       | 470 kA <sup>2</sup> s       | 2500 kA <sup>2</sup> s                     | 200 kA                     | 210 W                               | ✓            | 3       | 0.89 kg |
| A065UD33TTI1600            | S301086     | 600 V                  | 650 V                 | 1600 A                       | 555 kA <sup>2</sup> s       | 2900 kA <sup>2</sup> s                     | 200 kA                     | 210 W                               | ✓            | 3       | 0.89 kg |
| A065UD33TTI1800            | T301087     | 600 V                  | 650 V                 | 1800 A                       | 720 kA <sup>2</sup> s       | 3870 kA <sup>2</sup> s                     | 200 kA                     | 225 W                               | ✓            | 3       | 0.89 kg |
| A060UD33TTI2000            | V301088     | 550 V                  | 600 V                 | 2000 A                       | 950 kA <sup>2</sup> s       | 4500 kA <sup>2</sup> s                     | 200 kA                     | 250 W                               | ✓            | 3       | 0.89 kg |
| A055UD33TTI2250            | W301089     | 500 V                  | 550 V                 | 2250 A                       | 1250 kA <sup>2</sup> s      | 5160 kA <sup>2</sup> s                     | 200 kA                     | 280 W                               | ✓            | 3       | 0.89 kg |
| A050UD33TTI2500            | Y300838     | 450 V                  | 500 V                 | 2500 A                       | 1870 kA <sup>2</sup> s      | 6540 kA <sup>2</sup> s                     | 200 kA                     | 280 W                               | ✓            | 3       | 0.89 kg |

# Protistor® size 33 aR

450 to 690VAC (IEC) / 700VAC (UL)

## PRODUCT RANGE



PC33UD69V1100A

### Size 33 type DIN80 blades

| Catalog number             | Item number | Rated voltage AC (IEC) | Rated voltage AC (UL) | Rated current I <sub>n</sub> | Pre-arcing I <sup>2</sup> t | Clearing I <sup>2</sup> t at Rated Voltage | Rated breaking capacity AC | Power dissipation at I <sub>n</sub> | UL certified | Package | Weight  |
|----------------------------|-------------|------------------------|-----------------------|------------------------------|-----------------------------|--|----------------------------|-------------------------------------|--------------|---------|---------|
| <b>Standard Terminal</b>   |             |                        |                       |                              |                             |  |                            |                                     |              |         |         |
| PC33UD69V450A              | T302168     | 690 V                  | 700 V                 | 450 A                        | 13.45 kA <sup>2</sup> s     | 87 kA <sup>2</sup> s                       | 200 kA                     | 88 W                                | ✓            | 3       | 0.81 kg |
| PC33UD69V500A              | G300248     | 690 V                  | 700 V                 | 500 A                        | 19 kA <sup>2</sup> s        | 110 kA <sup>2</sup> s                      | 200 kA                     | 105 W                               | ✓            | 3       | 0.81 kg |
| PC33UD69V550A              | H300249     | 690 V                  | 700 V                 | 550 A                        | 27 kA <sup>2</sup> s        | 155 kA <sup>2</sup> s                      | 200 kA                     | 110 W                               | ✓            | 3       | 0.81 kg |
| PC33UD69V630A              | J300250     | 690 V                  | 700 V                 | 630 A                        | 40 kA <sup>2</sup> s        | 230 kA <sup>2</sup> s                      | 200 kA                     | 120 W                               | ✓            | 3       | 0.81 kg |
| PC33UD69V700A              | K300251     | 690 V                  | 700 V                 | 700 A                        | 57 kA <sup>2</sup> s        | 330 kA <sup>2</sup> s                      | 200 kA                     | 125 W                               | ✓            | 3       | 0.81 kg |
| PC33UD69V800A              | L300252     | 690 V                  | 700 V                 | 800 A                        | 93 kA <sup>2</sup> s        | 540 kA <sup>2</sup> s                      | 200 kA                     | 130 W                               | ✓            | 3       | 0.81 kg |
| PC33UD69V900A              | M300253     | 690 V                  | 700 V                 | 900 A                        | 130 kA <sup>2</sup> s       | 770 kA <sup>2</sup> s                      | 200 kA                     | 135 W                               | ✓            | 3       | 0.81 kg |
| PC33UD69V1000A             | N300254     | 690 V                  | 700 V                 | 1000 A                       | 170 kA <sup>2</sup> s       | 990 kA <sup>2</sup> s                      | 200 kA                     | 155 W                               | ✓            | 3       | 0.81 kg |
| PC33UD69V1100A             | P300255     | 690 V                  | 700 V                 | 1100 A                       | 240 kA <sup>2</sup> s       | 1390 kA <sup>2</sup> s                     | 200 kA                     | 160 W                               | ✓            | 3       | 0.81 kg |
| <b>Reinforced Terminal</b> |             |                        |                       |                              |                             |  |                            |                                     |              |         |         |
| PC33UD69V1250A             | Q300256     | 690 V                  | 700 V                 | 1250 A                       | 355 kA <sup>2</sup> s       | 2053 kA <sup>2</sup> s                     | 200 kA                     | 180 W                               | ✓            | 3       | 0.81 kg |
| PC33UD69V1400A             | R300257     | 690 V                  | 700 V                 | 1400 A                       | 465 kA <sup>2</sup> s       | 2700 kA <sup>2</sup> s                     | 200 kA                     | 200 W                               | ✓            | 3       | 0.81 kg |
| PC33UD60V1500A             | M235071     | 600 V                  | 650 V                 | 1500 A                       | 470 kA <sup>2</sup> s       | 2500 kA <sup>2</sup> s                     | 200 kA                     | 210 W                               | ✓            | 3       | 0.81 kg |
| PC33UD60V1600A             | X301803     | 600 V                  | 650 V                 | 1600 A                       | 555 kA <sup>2</sup> s       | 2900 kA <sup>2</sup> s                     | 200 kA                     | 240 W                               | ✓            | 3       | 0.81 kg |
| PC33UD60V1800A             | E301971     | 600 V                  | 650 V                 | 1800 A                       | 720 kA <sup>2</sup> s       | 3870 kA <sup>2</sup> s                     | 200 kA                     | 225 W                               | ✓            | 3       | 0.81 kg |
| PC33UD55V2000A             | A302657     | 550 V                  | 600 V                 | 2000 A                       | 950 kA <sup>2</sup> s       | 4500 kA <sup>2</sup> s                     | 200 kA                     | 250 W                               | ✓            | 3       | 0.81 kg |



PC33UD69V11CD1A

### Size 33 type DIN110 blades

| Catalog number             | Item number | Rated voltage AC (IEC) | Rated voltage AC (UL) | Rated current I <sub>n</sub> | Pre-arcing I <sup>2</sup> t | Clearing I <sup>2</sup> t at Rated Voltage | Rated breaking capacity AC | Power dissipation at I <sub>n</sub> | UL certified | Package | Weight  |
|----------------------------|-------------|------------------------|-----------------------|------------------------------|-----------------------------|--|----------------------------|-------------------------------------|--------------|---------|---------|
| <b>Standard Terminal</b>   |             |                        |                       |                              |                             |  |                            |                                     |              |         |         |
| PC33UD69V450D1A            | V302169     | 690 V                  | 700 V                 | 450 A                        | 13.45 kA <sup>2</sup> s     | 87 kA <sup>2</sup> s                       | 200 kA                     | 88 W                                | ✓            | 3       | 0.87 kg |
| PC33UD69V500D1A            | S300258     | 690 V                  | 700 V                 | 500 A                        | 19 kA <sup>2</sup> s        | 110 kA <sup>2</sup> s                      | 200 kA                     | 105 W                               | ✓            | 3       | 0.87 kg |
| PC33UD69V550D1A            | T300259     | 690 V                  | 700 V                 | 550 A                        | 27 kA <sup>2</sup> s        | 155 kA <sup>2</sup> s                      | 200 kA                     | 110 W                               | ✓            | 3       | 0.87 kg |
| PC33UD69V630D1A            | V300260     | 690 V                  | 700 V                 | 630 A                        | 40 kA <sup>2</sup> s        | 230 kA <sup>2</sup> s                      | 200 kA                     | 120 W                               | ✓            | 3       | 0.87 kg |
| PC33UD69V700D1A            | W300261     | 690 V                  | 700 V                 | 700 A                        | 57 kA <sup>2</sup> s        | 330 kA <sup>2</sup> s                      | 200 kA                     | 125 W                               | ✓            | 3       | 0.87 kg |
| PC33UD69V800D1A            | X300262     | 690 V                  | 700 V                 | 800 A                        | 93 kA <sup>2</sup> s        | 540 kA <sup>2</sup> s                      | 200 kA                     | 130 W                               | ✓            | 3       | 0.87 kg |
| PC33UD69V900D1A            | Y300263     | 690 V                  | 700 V                 | 900 A                        | 130 kA <sup>2</sup> s       | 770 kA <sup>2</sup> s                      | 200 kA                     | 135 W                               | ✓            | 3       | 0.87 kg |
| PC33UD69V10CD1A            | Z300264     | 690 V                  | 700 V                 | 1000 A                       | 170 kA <sup>2</sup> s       | 990 kA <sup>2</sup> s                      | 200 kA                     | 155 W                               | ✓            | 3       | 0.87 kg |
| PC33UD69V11CD1A            | A300265     | 690 V                  | 700 V                 | 1100 A                       | 240 kA <sup>2</sup> s       | 1390 kA <sup>2</sup> s                     | 200 kA                     | 160 W                               | ✓            | 3       | 0.87 kg |
| <b>Reinforced Terminal</b> |             |                        |                       |                              |                             |  |                            |                                     |              |         |         |
| PC33UD69V12CD1A            | B300266     | 690 V                  | 700 V                 | 1250 A                       | 355 kA <sup>2</sup> s       | 2053 kA <sup>2</sup> s                     | 200 kA                     | 180 W                               | ✓            | 3       | 0.87 kg |
| PC33UD69V14CD1A            | C300267     | 690 V                  | 700 V                 | 1400 A                       | 465 kA <sup>2</sup> s       | 2700 kA <sup>2</sup> s                     | 200 kA                     | 200 W                               | ✓            | 3       | 0.87 kg |
| PC33UD60V15CD1A            | H301974     | 600 V                  | 650 V                 | 1500 A                       | 470 kA <sup>2</sup> s       | 2500 kA <sup>2</sup> s                     | 200 kA                     | 210 W                               | ✓            | 3       | 0.87 kg |
| PC33UD60V16CD1A            | Z301437     | 600 V                  | 650 V                 | 1600 A                       | 500 kA <sup>2</sup> s       | 2900 kA <sup>2</sup> s                     | 200 kA                     | 240 W                               | ✓            | 3       | 0.87 kg |
| PC33UD55V20CD1A            | S1015765    | 550 V                  | 600 V                 | 2000 A                       | 950 kA <sup>2</sup> s       | 4500 kA <sup>2</sup> s                     | 200 kA                     | 290 W                               | ✓            | 3       | 0.87 kg |

# Protistor® size 33 aR

450 to 690VAC (IEC) / 700VAC (UL)

## PRODUCT RANGE



A070UD33KI1100

### Size 33 type KI short slotted blades

| Catalog number             | Item number | Rated voltage AC (IEC) | Rated voltage AC (UL) | Rated current I <sub>n</sub> | Pre-arcing I <sup>2</sup> t | Clearing I <sup>2</sup> t at Rated Voltage | Rated breaking capacity AC | Power dissipation at I <sub>n</sub> | UL certified | Package | Weight  |
|----------------------------|-------------|------------------------|-----------------------|------------------------------|-----------------------------|--|----------------------------|-------------------------------------|--------------|---------|---------|
| <b>Standard Terminal</b>   |             |                        |                       |                              |                             |  |                            |                                     |              |         |         |
| A070UD33KI500              | W300238     | 690 V                  | 700 V                 | 500 A                        | 19 kA <sup>2</sup> s        | 110 kA <sup>2</sup> s                      | 200 kA                     | 105 W                               | ✓            | 3       | 0.85 kg |
| A070UD33KI550              | X300239     | 690 V                  | 700 V                 | 550 A                        | 27 kA <sup>2</sup> s        | 155 kA <sup>2</sup> s                      | 200 kA                     | 110 W                               | ✓            | 3       | 0.85 kg |
| A070UD33KI630              | Y300240     | 690 V                  | 700 V                 | 630 A                        | 40 kA <sup>2</sup> s        | 230 kA <sup>2</sup> s                      | 200 kA                     | 120 W                               | ✓            | 3       | 0.85 kg |
| A070UD33KI700              | Z300241     | 690 V                  | 700 V                 | 700 A                        | 57 kA <sup>2</sup> s        | 330 kA <sup>2</sup> s                      | 200 kA                     | 125 W                               | ✓            | 3       | 0.85 kg |
| A070UD33KI800              | A300242     | 690 V                  | 700 V                 | 800 A                        | 93 kA <sup>2</sup> s        | 540 kA <sup>2</sup> s                      | 200 kA                     | 130 W                               | ✓            | 3       | 0.85 kg |
| A070UD33KI900              | B300243     | 690 V                  | 700 V                 | 900 A                        | 130 kA <sup>2</sup> s       | 770 kA <sup>2</sup> s                      | 200 kA                     | 135 W                               | ✓            | 3       | 0.85 kg |
| A070UD33KI1000             | C300244     | 690 V                  | 700 V                 | 1000 A                       | 170 kA <sup>2</sup> s       | 990 kA <sup>2</sup> s                      | 200 kA                     | 155 W                               | ✓            | 3       | 0.85 kg |
| A070UD33KI1100             | D300245     | 690 V                  | 700 V                 | 1100 A                       | 240 kA <sup>2</sup> s       | 1390 kA <sup>2</sup> s                     | 200 kA                     | 160 W                               | ✓            | 3       | 0.85 kg |
| <b>Reinforced Terminal</b> |             |                        |                       |                              |                             |  |                            |                                     |              |         |         |
| A070UD33KI1250             | E300246     | 690 V                  | 700 V                 | 1250 A                       | 355 kA <sup>2</sup> s       | 2053 kA <sup>2</sup> s                     | 200 kA                     | 180 W                               | ✓            | 3       | 0.85 kg |
| A070UD33KI1400             | F300247     | 690 V                  | 700 V                 | 1400 A                       | 465 kA <sup>2</sup> s       | 2700 kA <sup>2</sup> s                     | 200 kA                     | 200 W                               | ✓            | 3       | 0.85 kg |
| A065UD33KI1600             | E302063     | 600 V                  | 650 V                 | 1600 A                       | 555 kA <sup>2</sup> s       | 2900 kA <sup>2</sup> s                     | 200 kA                     | 240 W                               | ✓            | 3       | 0.85 kg |



A070UD33LI1100

### Size 33 type LI long slotted blades

| Catalog number             | Item number | Rated voltage AC (IEC) | Rated voltage AC (UL) | Rated current I <sub>n</sub> | Pre-arcing I <sup>2</sup> t | Clearing I <sup>2</sup> t at Rated Voltage | Rated breaking capacity AC | Power dissipation at I <sub>n</sub> | UL certified | Package | Weight  |
|----------------------------|-------------|------------------------|-----------------------|------------------------------|-----------------------------|--|----------------------------|-------------------------------------|--------------|---------|---------|
| <b>Standard Terminal</b>   |             |                        |                       |                              |                             |  |                            |                                     |              |         |         |
| A070UD33LI450              | Y302172     | 690 V                  | 700 V                 | 450 A                        | 13.45 kA <sup>2</sup> s     | 87 kA <sup>2</sup> s                       | 200 kA                     | 88 W                                | ✓            | 3       | 0.88 kg |
| A070UD33LI500              | K300228     | 690 V                  | 700 V                 | 500 A                        | 19 kA <sup>2</sup> s        | 110 kA <sup>2</sup> s                      | 200 kA                     | 105 W                               | ✓            | 3       | 0.88 kg |
| A070UD33LI550              | L300229     | 690 V                  | 700 V                 | 550 A                        | 27 kA <sup>2</sup> s        | 155 kA <sup>2</sup> s                      | 200 kA                     | 110 W                               | ✓            | 3       | 0.88 kg |
| A070UD33LI630              | M300230     | 690 V                  | 700 V                 | 630 A                        | 40 kA <sup>2</sup> s        | 230 kA <sup>2</sup> s                      | 200 kA                     | 120 W                               | ✓            | 3       | 0.88 kg |
| A070UD33LI700              | N300231     | 690 V                  | 700 V                 | 700 A                        | 57 kA <sup>2</sup> s        | 330 kA <sup>2</sup> s                      | 200 kA                     | 125 W                               | ✓            | 3       | 0.88 kg |
| A070UD33LI800              | P300232     | 690 V                  | 700 V                 | 800 A                        | 93 kA <sup>2</sup> s        | 540 kA <sup>2</sup> s                      | 200 kA                     | 130 W                               | ✓            | 3       | 0.88 kg |
| A070UD33LI900              | Q300233     | 690 V                  | 700 V                 | 900 A                        | 130 kA <sup>2</sup> s       | 770 kA <sup>2</sup> s                      | 200 kA                     | 135 W                               | ✓            | 3       | 0.88 kg |
| A070UD33LI1000             | R300234     | 690 V                  | 700 V                 | 1000 A                       | 170 kA <sup>2</sup> s       | 990 kA <sup>2</sup> s                      | 200 kA                     | 155 W                               | ✓            | 3       | 0.88 kg |
| <b>Reinforced Terminal</b> |             |                        |                       |                              |                             |  |                            |                                     |              |         |         |
| A070UD33LI1100             | S300235     | 690 V                  | 700 V                 | 1100 A                       | 240 kA <sup>2</sup> s       | 1390 kA <sup>2</sup> s                     | 200 kA                     | 160 W                               | ✓            | 3       | 0.88 kg |
| A070UD33LI1250             | T300236     | 690 V                  | 700 V                 | 1250 A                       | 355 kA <sup>2</sup> s       | 2053 kA <sup>2</sup> s                     | 200 kA                     | 180 W                               | ✓            | 3       | 0.88 kg |
| A070UD33LI1400             | V300237     | 690 V                  | 700 V                 | 1400 A                       | 465 kA <sup>2</sup> s       | 2700 kA <sup>2</sup> s                     | 200 kA                     | 200 W                               | ✓            | 3       | 0.88 kg |
| A060UD33LI1500             | P300531     | 600 V                  | 650 V                 | 1500 A                       | 470 kA <sup>2</sup> s       | 2500 kA <sup>2</sup> s                     | 200 kA                     | 210 W                               | ✓            | 3       | 0.88 kg |
| A060UD33LI2000             | J301078     | 550 V                  | 600 V                 | 2000 A                       | 950 kA <sup>2</sup> s       | 4500 kA <sup>2</sup> s                     | 200 kA                     | 290 W                               | ✓            | 3       | 0.88 kg |
| A065UD33LI1600             | G301076     | 600 V                  | 650 V                 | 1600 A                       | 555 kA <sup>2</sup> s       | 2900 kA <sup>2</sup> s                     | 200 kA                     | 240 W                               | ✓            | 3       | 0.88 kg |
| A065UD33LI1800             | H301077     | 600 V                  | 650 V                 | 1800 A                       | 720 kA <sup>2</sup> s       | 3870 kA <sup>2</sup> s                     | 200 kA                     | 260 W                               | ✓            | 3       | 0.88 kg |

# Protistor® size 33 aR

450 to 690VAC (IEC) / 700VAC (UL)

## PRODUCT RANGE



PC33UD69V1400EF

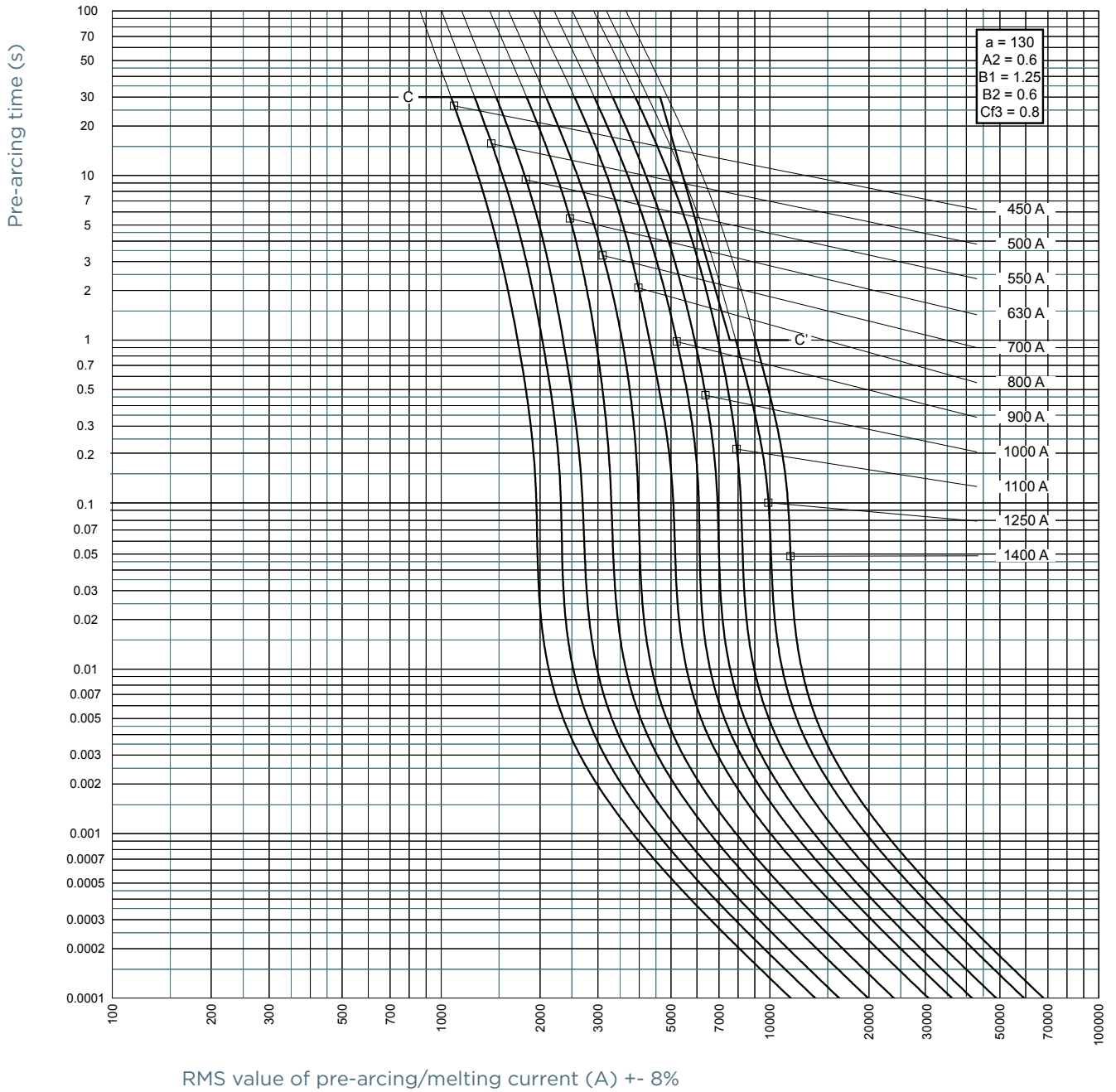
### Size 33 type EF style notched blade connections

| Catalog number             | Item number | Rated voltage AC (IEC) | Rated voltage AC (UL) | Rated current I <sub>n</sub> | Pre-arcing I <sup>2</sup> t | Clearing I <sup>2</sup> t at Rated Voltage | Rated breaking capacity AC | Power dissipation at I <sub>n</sub> | UL certified | Package | Weight  |
|----------------------------|-------------|------------------------|-----------------------|------------------------------|-----------------------------|--|----------------------------|-------------------------------------|--------------|---------|---------|
| <b>Standard Terminal</b>   |             |                        |                       |                              |                             |  |                            |                                     |              |         |         |
| PC33UD69V500EF             | Z300218     | 690 V                  | 700 V                 | 500 A                        | 19 kA <sup>2</sup> s        | 110 kA <sup>2</sup> s                      | 200 kA                     | 105 W                               | ✓            | 3       | 0.85 kg |
| PC33UD69V550EF             | A300219     | 690 V                  | 700 V                 | 550 A                        | 27 kA <sup>2</sup> s        | 155 kA <sup>2</sup> s                      | 200 kA                     | 110 W                               | ✓            | 3       | 0.85 kg |
| PC33UD69V630EF             | B300220     | 690 V                  | 700 V                 | 630 A                        | 40 kA <sup>2</sup> s        | 230 kA <sup>2</sup> s                      | 200 kA                     | 120 W                               | ✓            | 3       | 0.85 kg |
| PC33UD69V700EF             | C300221     | 690 V                  | 700 V                 | 700 A                        | 57 kA <sup>2</sup> s        | 330 kA <sup>2</sup> s                      | 200 kA                     | 125 W                               | ✓            | 3       | 0.85 kg |
| PC33UD69V800EF             | D300222     | 690 V                  | 700 V                 | 800 A                        | 93 kA <sup>2</sup> s        | 540 kA <sup>2</sup> s                      | 200 kA                     | 130 W                               | ✓            | 3       | 0.85 kg |
| PC33UD69V900EF             | E300223     | 690 V                  | 700 V                 | 900 A                        | 130 kA <sup>2</sup> s       | 770 kA <sup>2</sup> s                      | 200 kA                     | 135 W                               | ✓            | 3       | 0.85 kg |
| PC33UD69V1000EF            | F300224     | 690 V                  | 700 V                 | 1000 A                       | 170 kA <sup>2</sup> s       | 990 kA <sup>2</sup> s                      | 200 kA                     | 155 W                               | ✓            | 3       | 0.85 kg |
| PC33UD69V1100EF            | G300225     | 690 V                  | 700 V                 | 1100 A                       | 240 kA <sup>2</sup> s       | 1390 kA <sup>2</sup> s                     | 200 kA                     | 160 W                               | ✓            | 3       | 0.85 kg |
| <b>Reinforced Terminal</b> |             |                        |                       |                              |                             |  |                            |                                     |              |         |         |
| PC33UD69V1250EF            | H300226     | 690 V                  | 700 V                 | 1250 A                       | 355 kA <sup>2</sup> s       | 2053 kA <sup>2</sup> s                     | 200 kA                     | 180 W                               | ✓            | 3       | 0.85 kg |
| PC33UD69V1400EF            | J300227     | 690 V                  | 700 V                 | 1400 A                       | 465 kA <sup>2</sup> s       | 2700 kA <sup>2</sup> s                     | 200 kA                     | 200 W                               | ✓            | 3       | 0.85 kg |

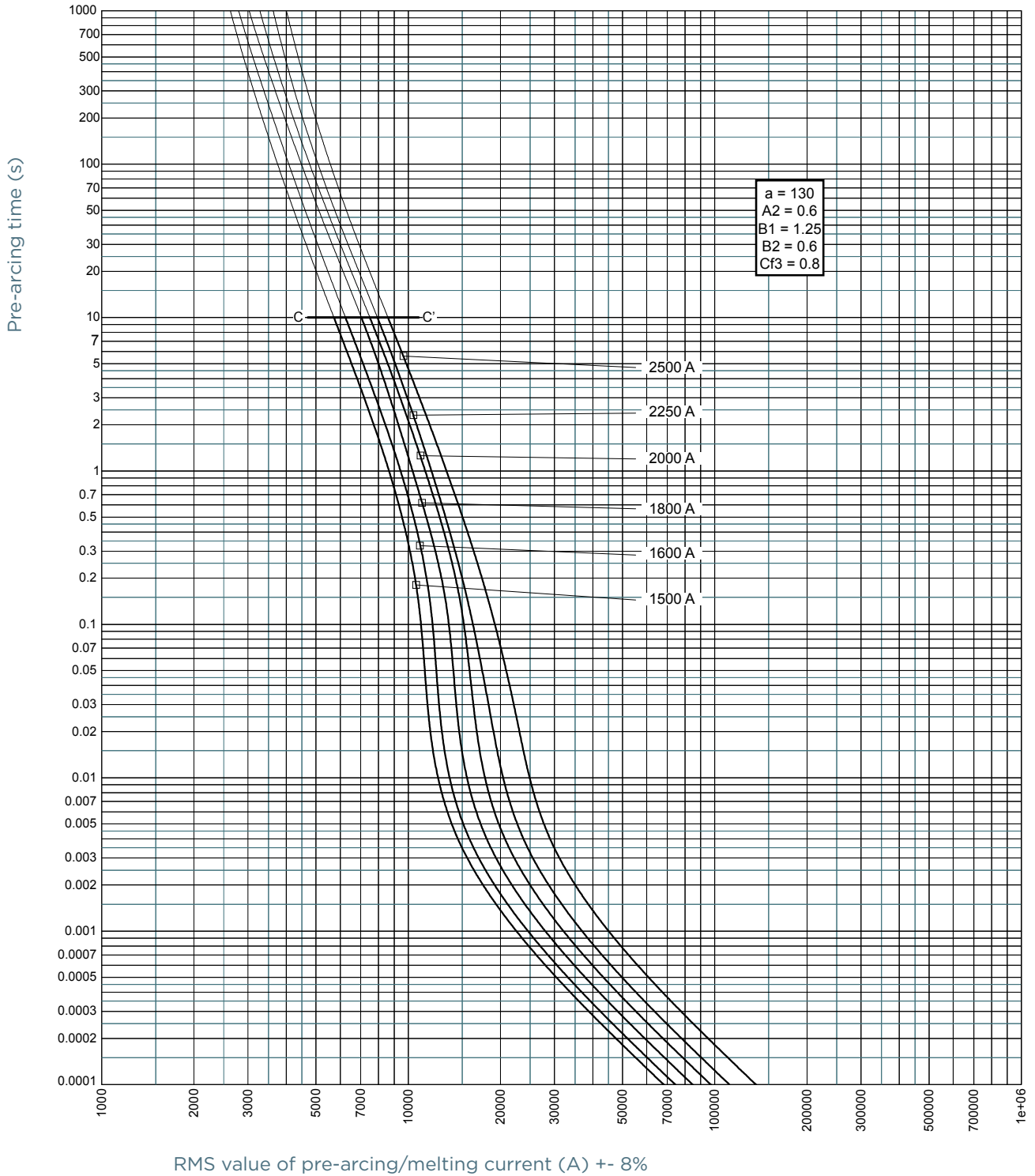
### Size 33 type PA plain blades

| Catalog number  | Item number | Rated voltage AC (IEC) | Rated voltage AC (UL) | Rated current I <sub>n</sub> | Pre-arcing I <sup>2</sup> t | Clearing I <sup>2</sup> t at Rated Voltage | Rated breaking capacity AC | Power dissipation at I <sub>n</sub> | UL certified | Package | Weight  |
|-----------------|-------------|------------------------|-----------------------|------------------------------|-----------------------------|--|----------------------------|-------------------------------------|--------------|---------|---------|
| PC33UD60V1600PA | W302722     | 600 V                  | 650 V                 | 1600 A                       | 555 kA <sup>2</sup> s       | 2900 kA <sup>2</sup> s                     | 200 kA                     | 240 W                               | ✓            | 3       | 1.17 kg |
| PC33UD69V1250PA | V302721     | 690 V                  | 700 V                 | 1250 A                       | 355 kA <sup>2</sup> s       | 2053 kA <sup>2</sup> s                     | 200 kA                     | 180 W                               | ✓            | 3       | 1.17 kg |
| PC33UD69V1400PA | P1028044    | 690 V                  | 700 V                 | 1400 A                       | 465 kA <sup>2</sup> s       | 2700 kA <sup>2</sup> s                     | 200 kA                     | 200 W                               | ✓            | 3       | 1.17 kg |

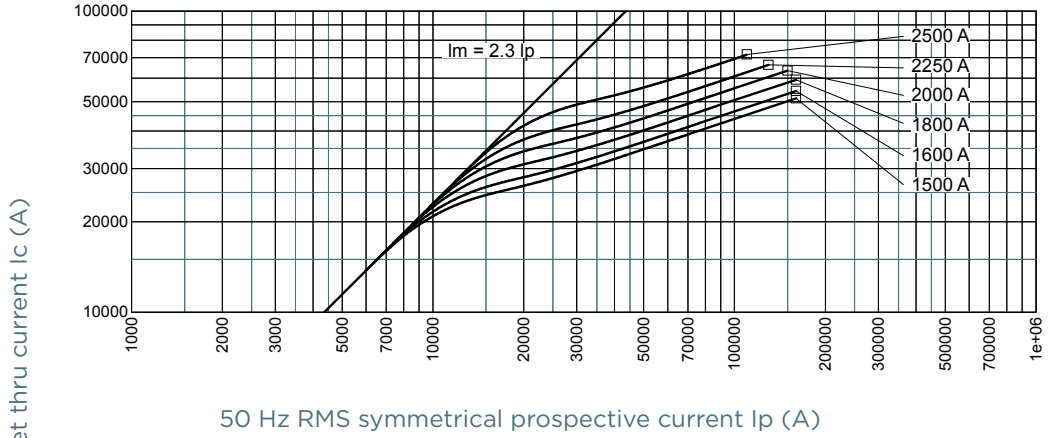
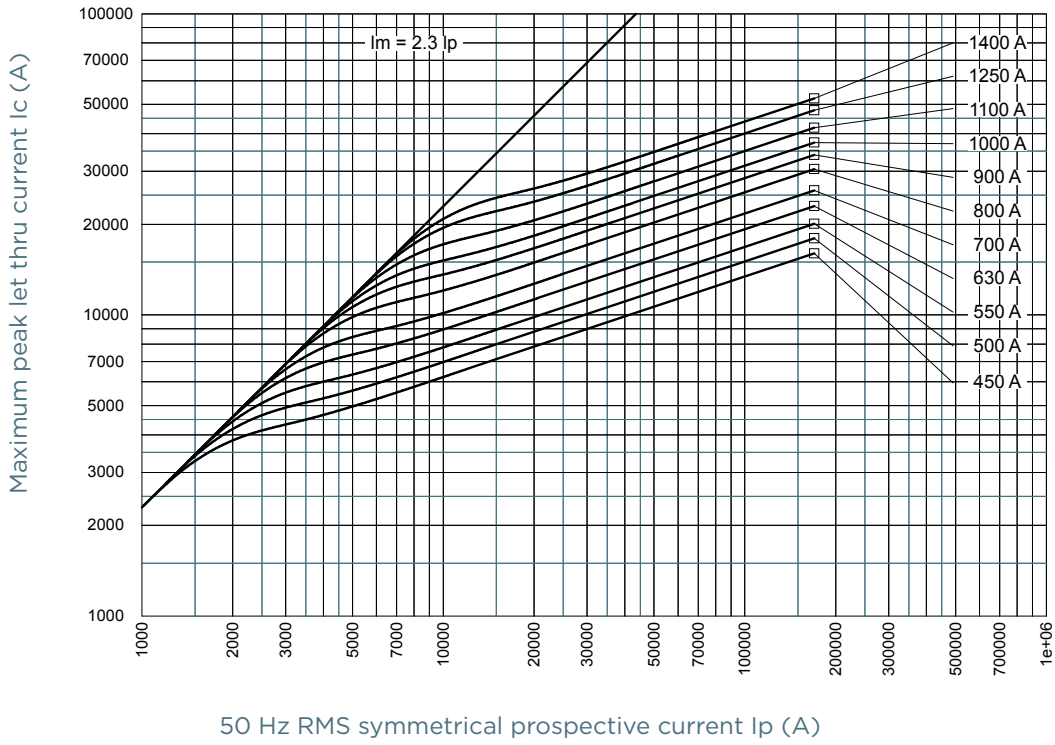
TIME CURRENT CHARACTERISTIC CURVES



TIME CURRENT CHARACTERISTIC CURVES



CUT-OFF CURRENT CHARACTERISTIC

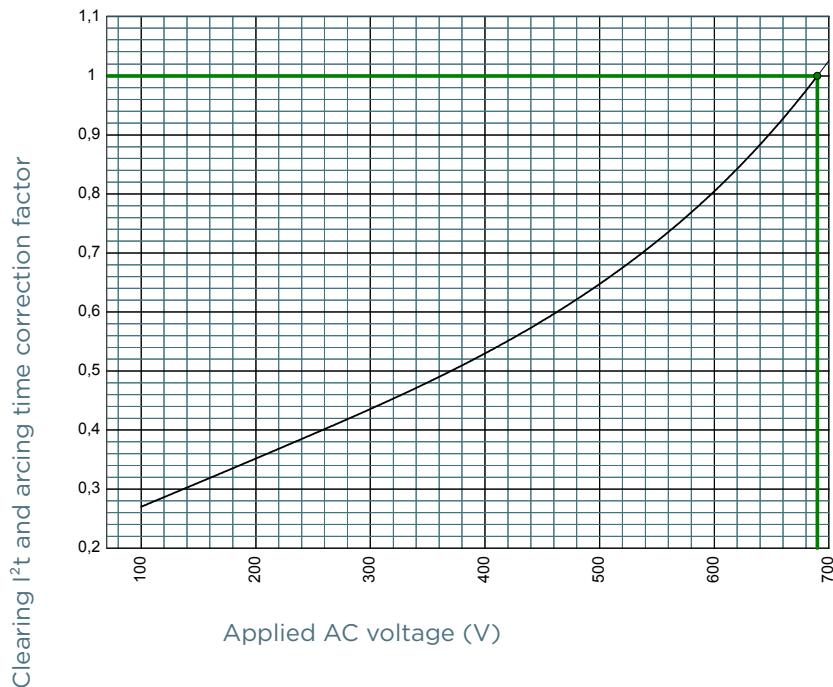


# Protistor® size 33 aR

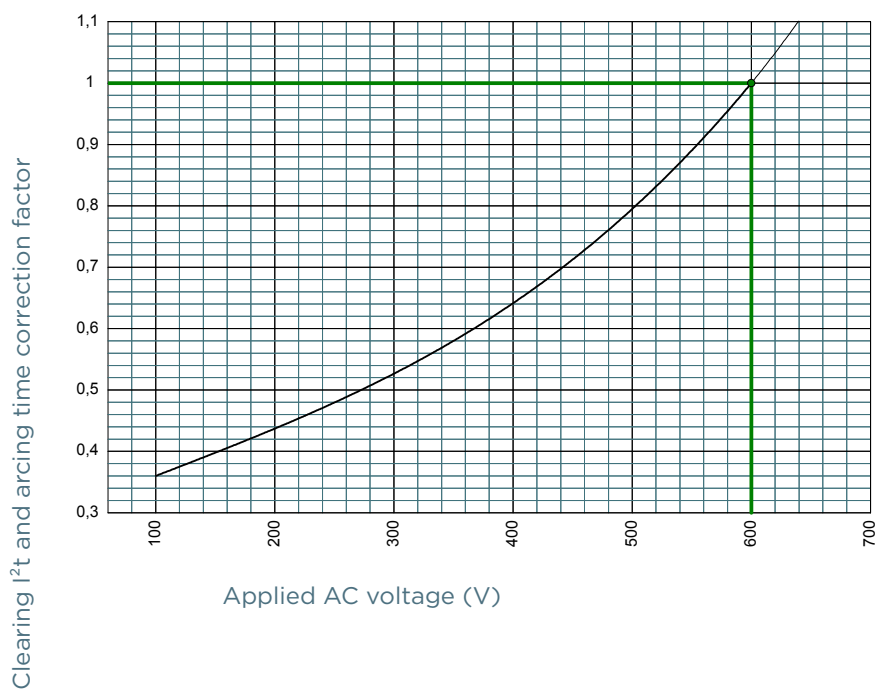
450 to 690VAC (IEC) / 700VAC (UL)

## I<sup>2</sup>T MULTIPLIER COEFFICIENT

### Size 33 690V



### Size 33 600V

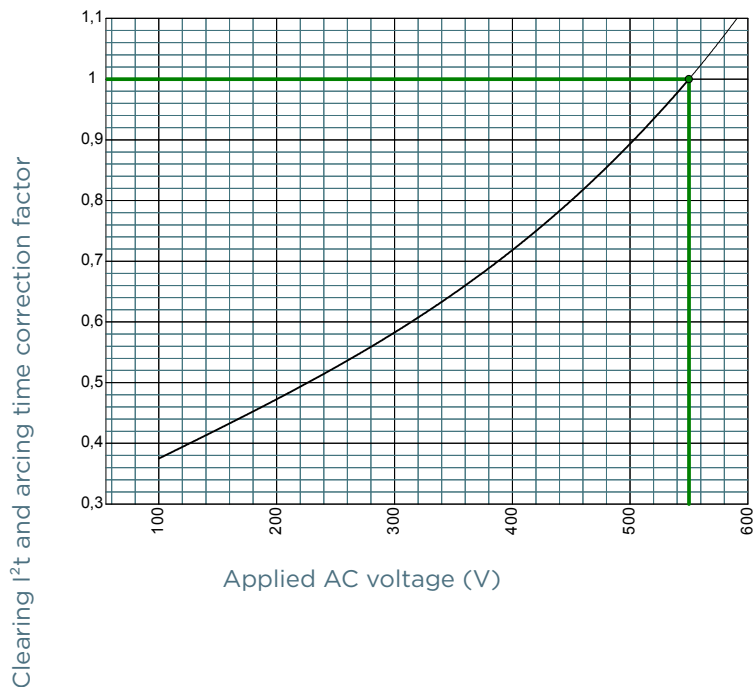


# Protistor® size 33 aR

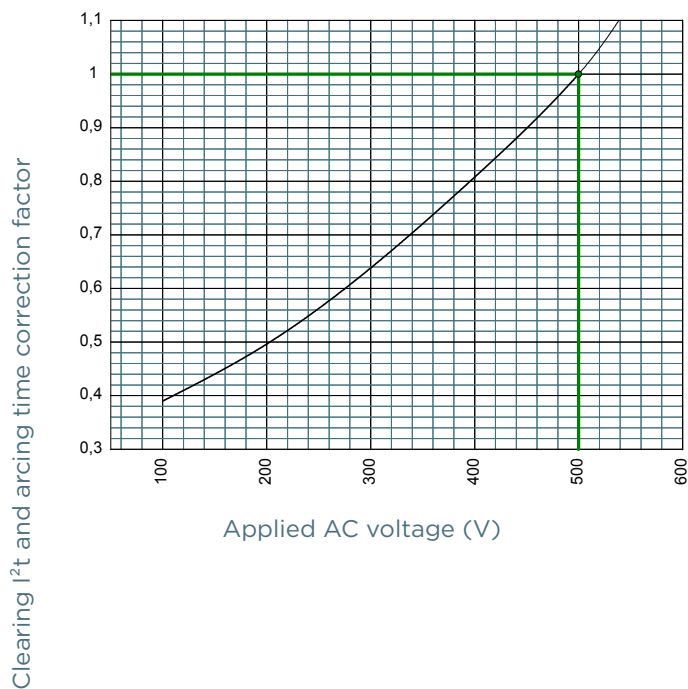
450 to 690VAC (IEC) / 700VAC (UL)

## I<sup>2</sup>T MULTIPLIER COEFFICIENT

### Size 33 550V



### Size 33 500V

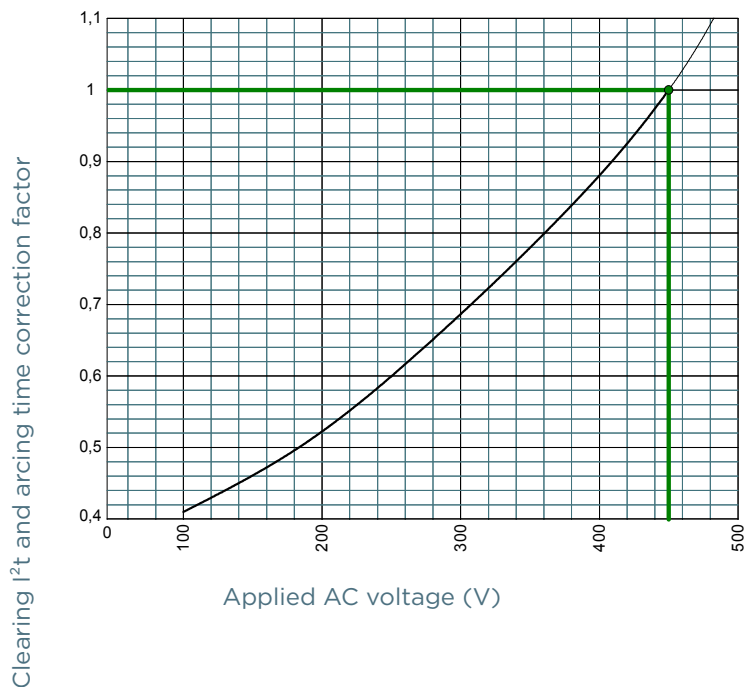


# Protistor® size 33 aR

450 to 690VAC (IEC) / 700VAC (UL)

## I<sup>2</sup>T MULTIPLIER COEFFICIENT

### Size 33 450V

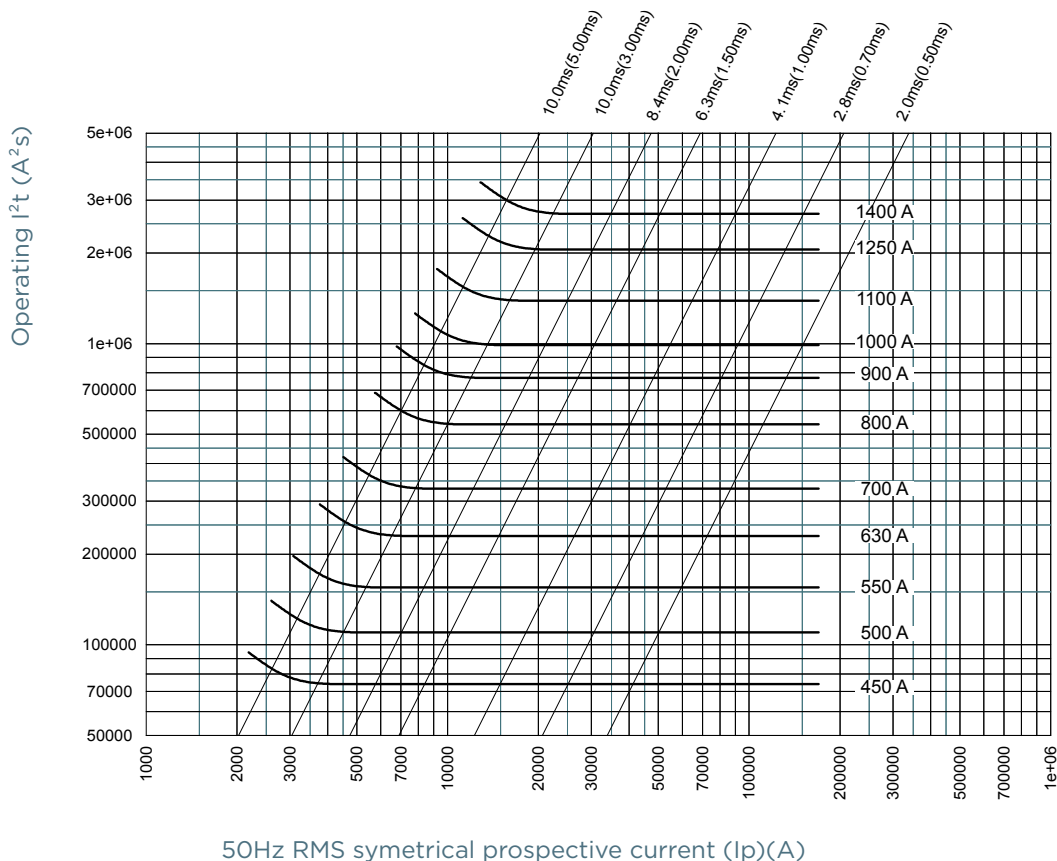


# Protistor® size 33 aR

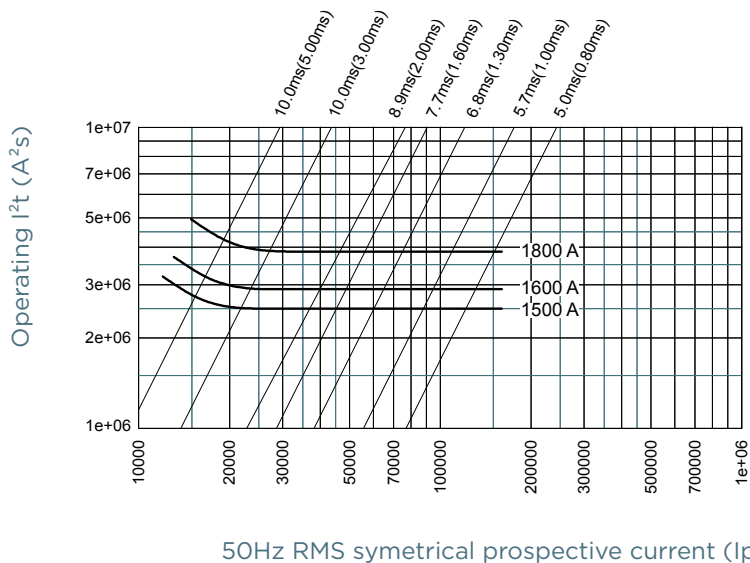
450 to 690VAC (IEC) / 700VAC (UL)

## CHARACTERISTICS TOTAL I<sup>2</sup>T CURVE

### Size 33 690V

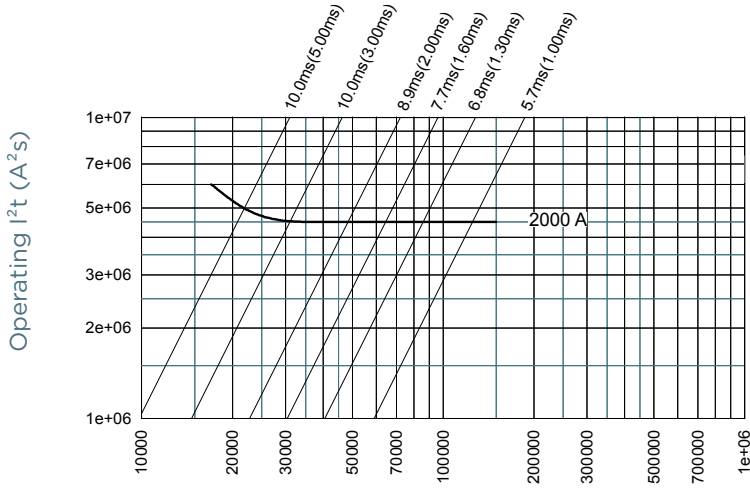


### Size 33 600V



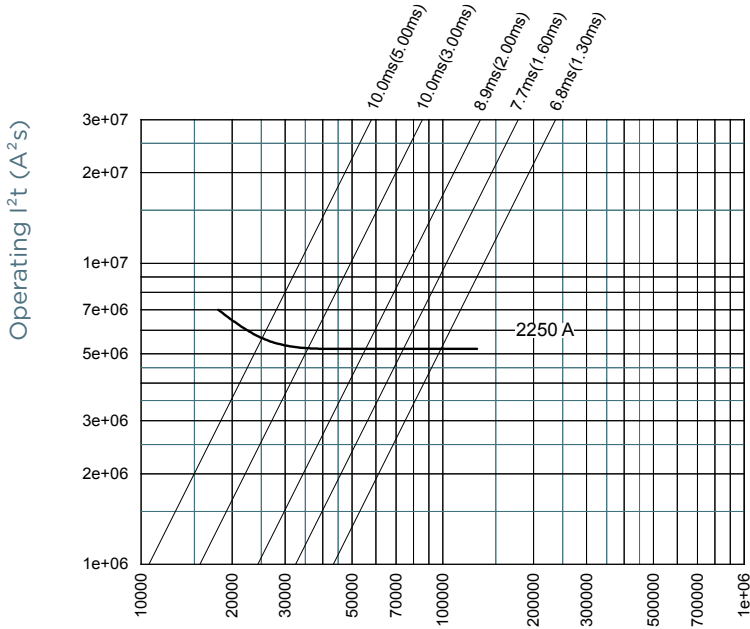
## CHARACTERISTICS TOTAL I<sup>2</sup>T CURVE

### Size 33 550V



50Hz RMS symmetrical prospective current (Ip)(A)

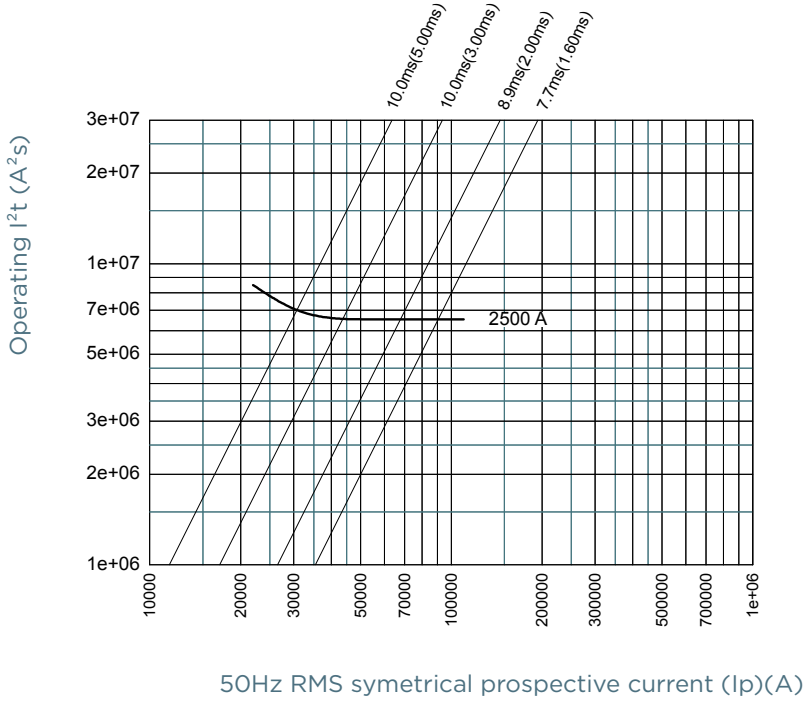
### Size 33 500V



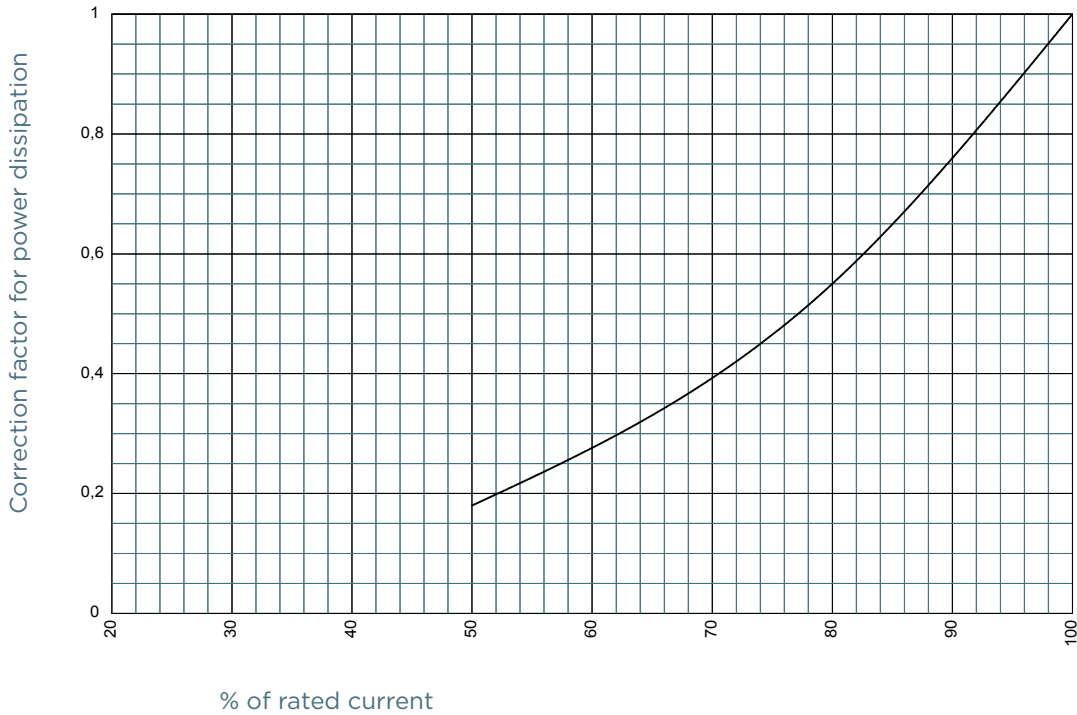
50Hz RMS symmetrical prospective current (Ip)(A)

## CHARACTERISTICS TOTAL I<sup>2</sup>T CURVE

Size 33 450V



## POWER DISSIPATION

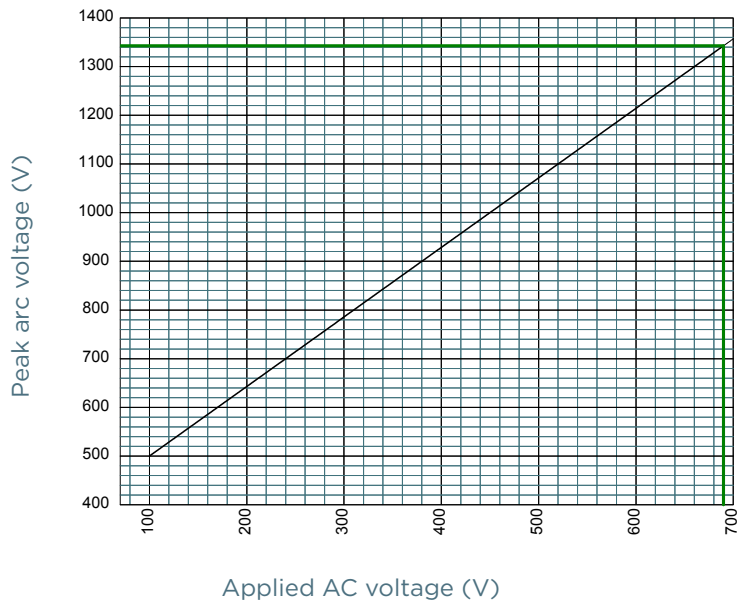


# Protistor® size 33 aR

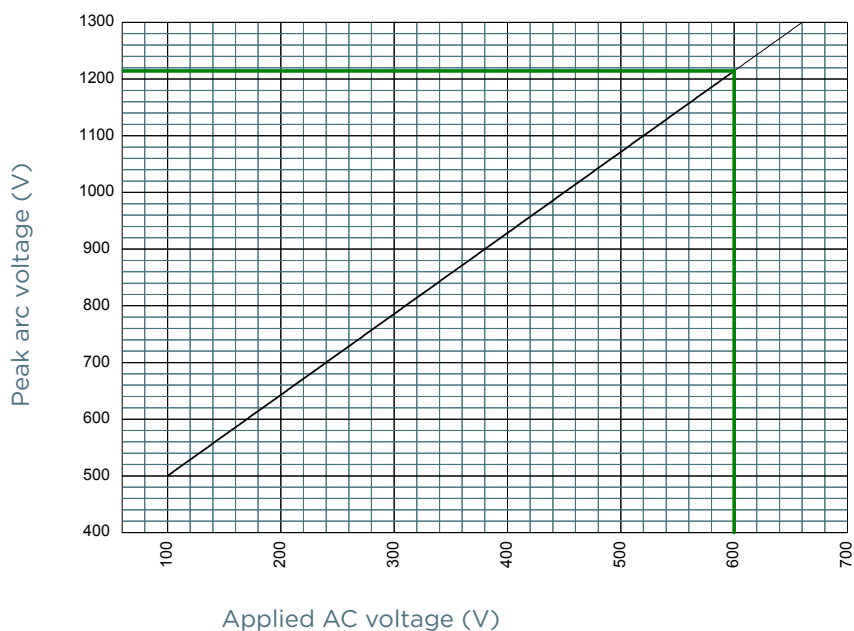
450 to 690VAC (IEC) / 700VAC (UL)

## PEAK ARC VOLTAGE

### Size 33 690V



### Size 33 600V

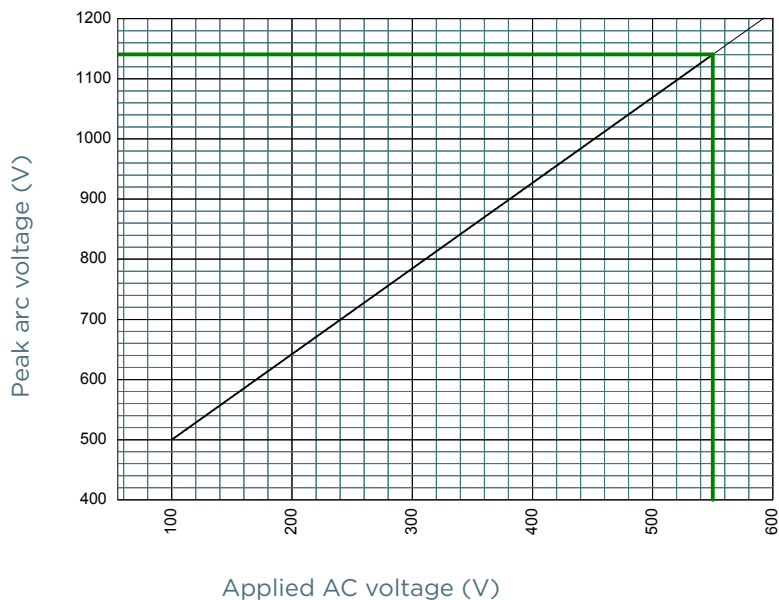


# Protistor® size 33 aR

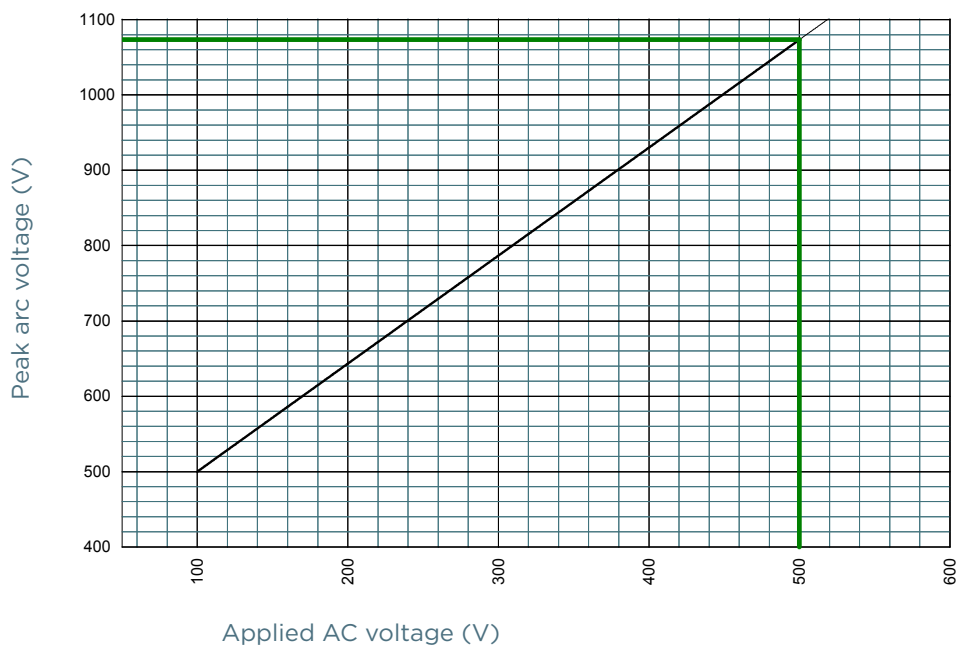
450 to 690VAC (IEC) / 700VAC (UL)

## PEAK ARC VOLTAGE

### Size 33 550V



### Size 33 500V

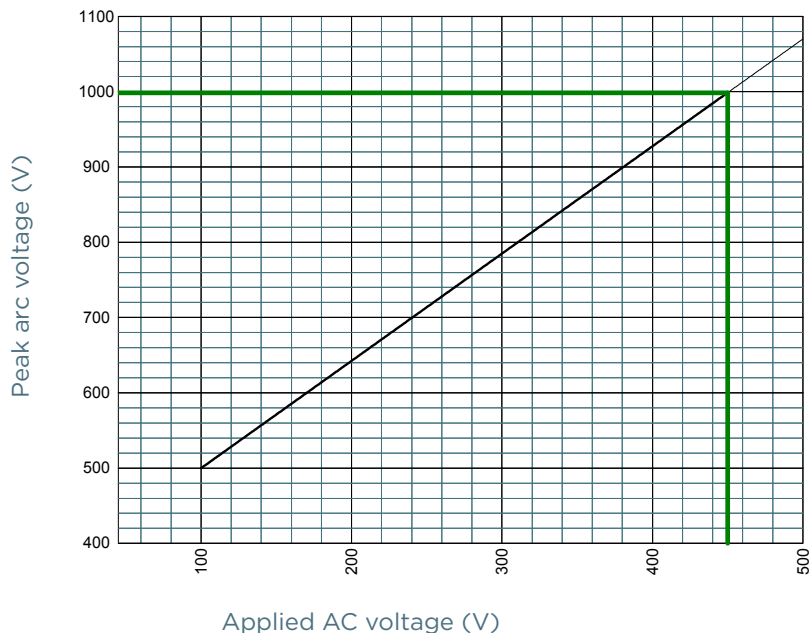


# Protistor® size 33 aR

450 to 690VAC (IEC) / 700VAC (UL)

## PEAK ARC VOLTAGE

### Size 33 450V

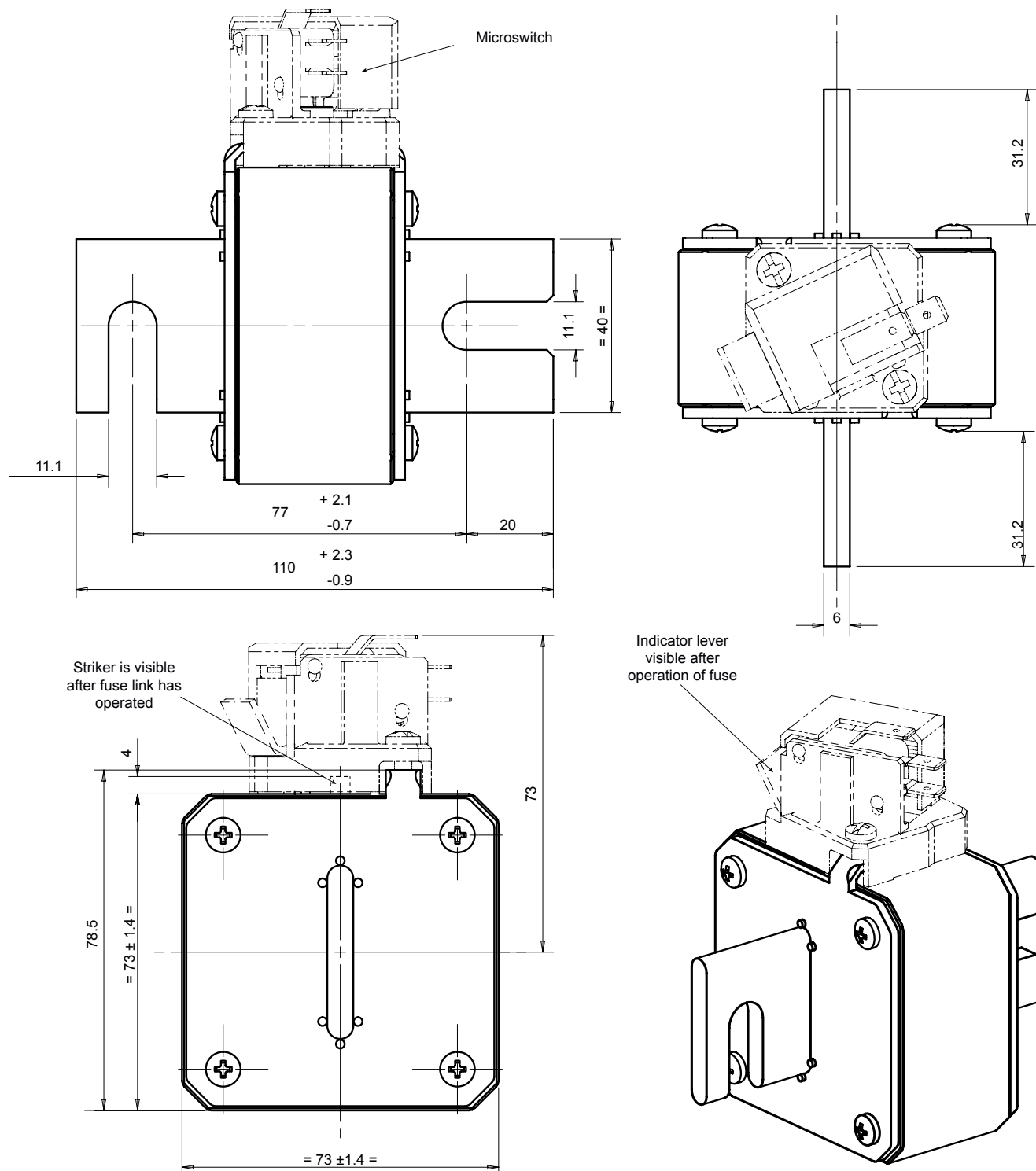


# Protistor® size 33 aR

450 to 690VAC (IEC) / 700VAC (UL)

## DIMENSIONS

size 33 type DIN 80 (102931)

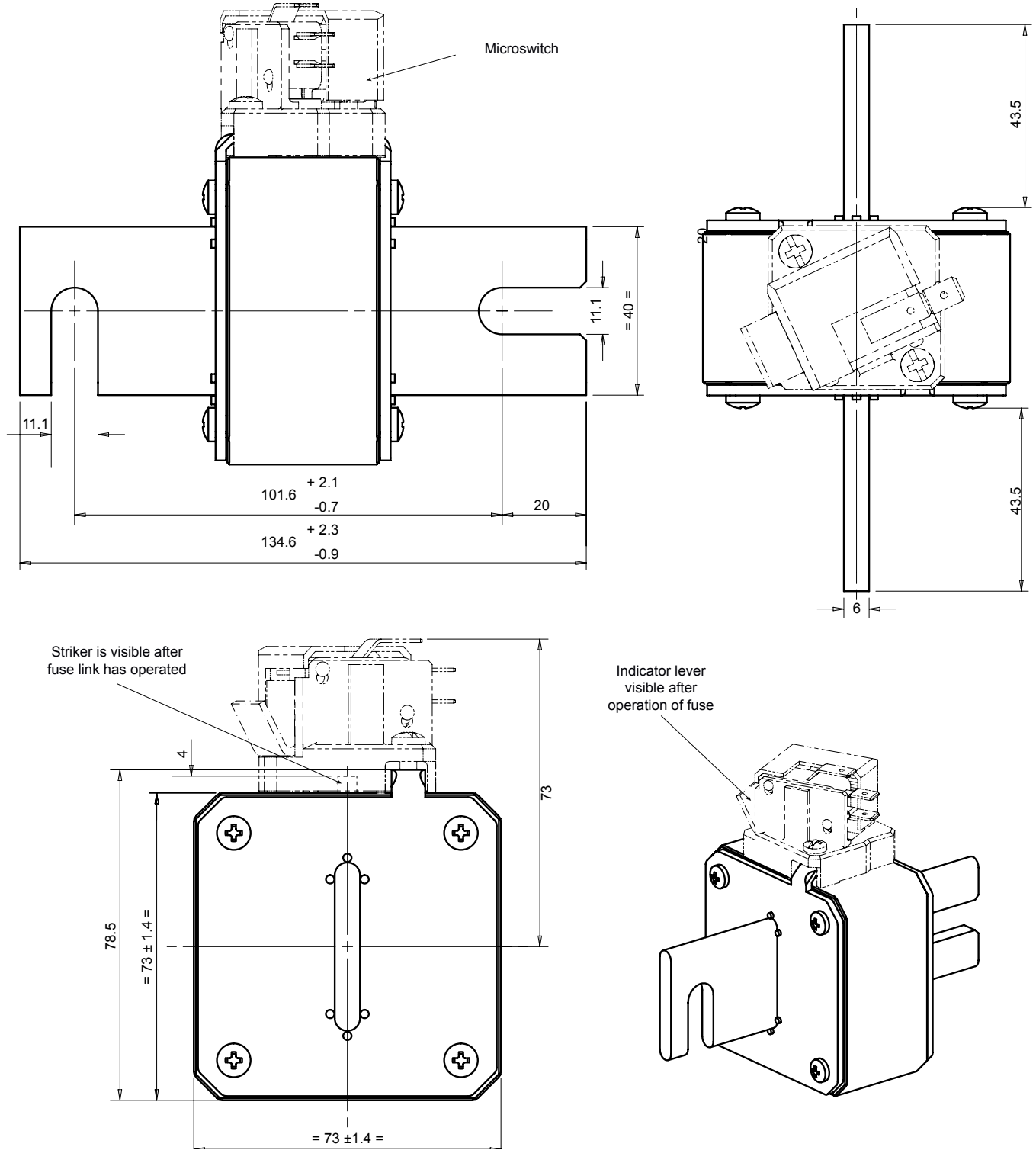


# Protistor® size 33 aR

450 to 690VAC (IEC) / 700VAC (UL)

## DIMENSIONS

size 33 type DIN 110 (102932)



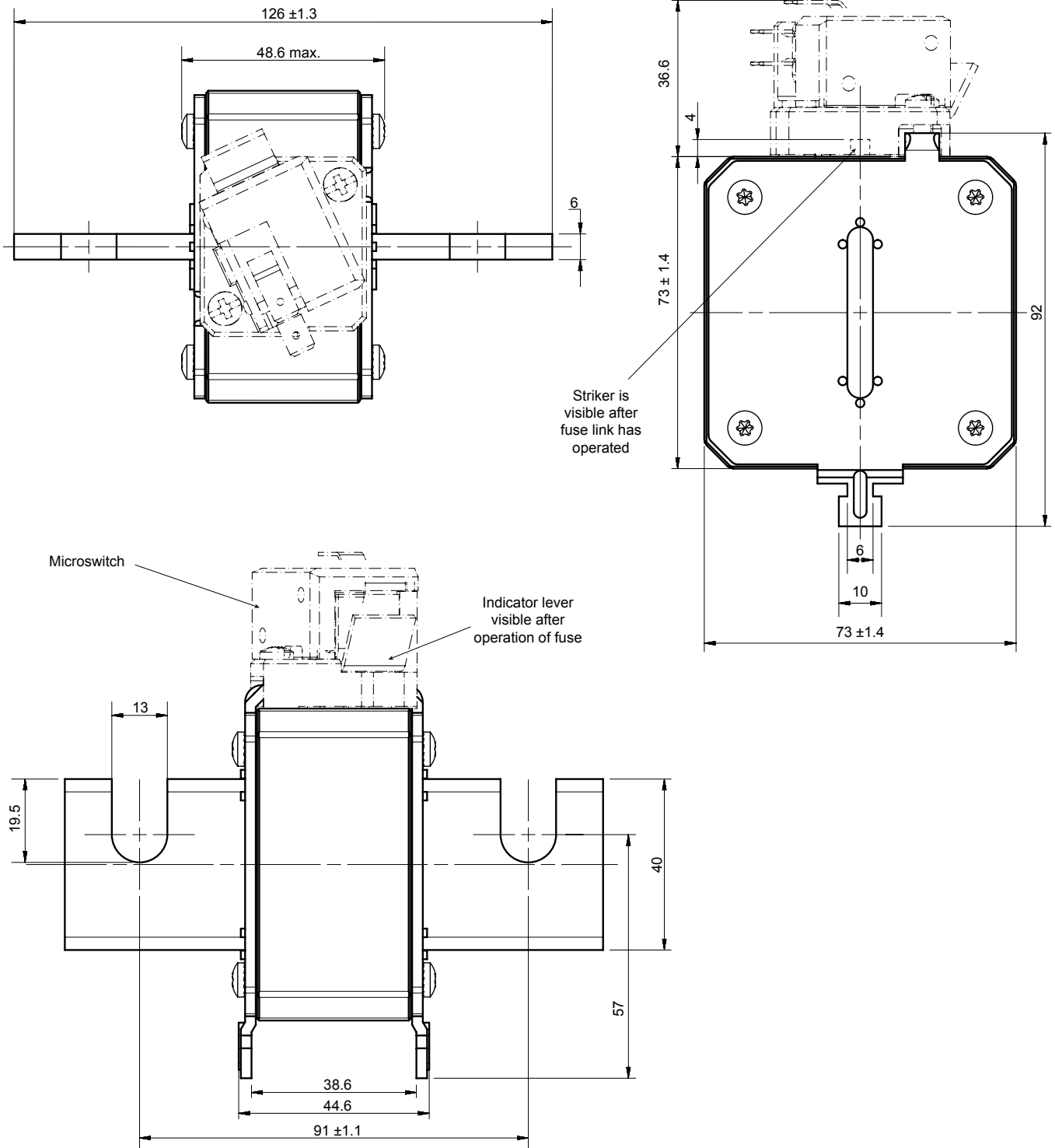
Dimensions in mm

# Protistor® size 33 aR

450 to 690VAC (IEC) / 700VAC (UL)

## DIMENSIONS

size 33 type EF (102930)



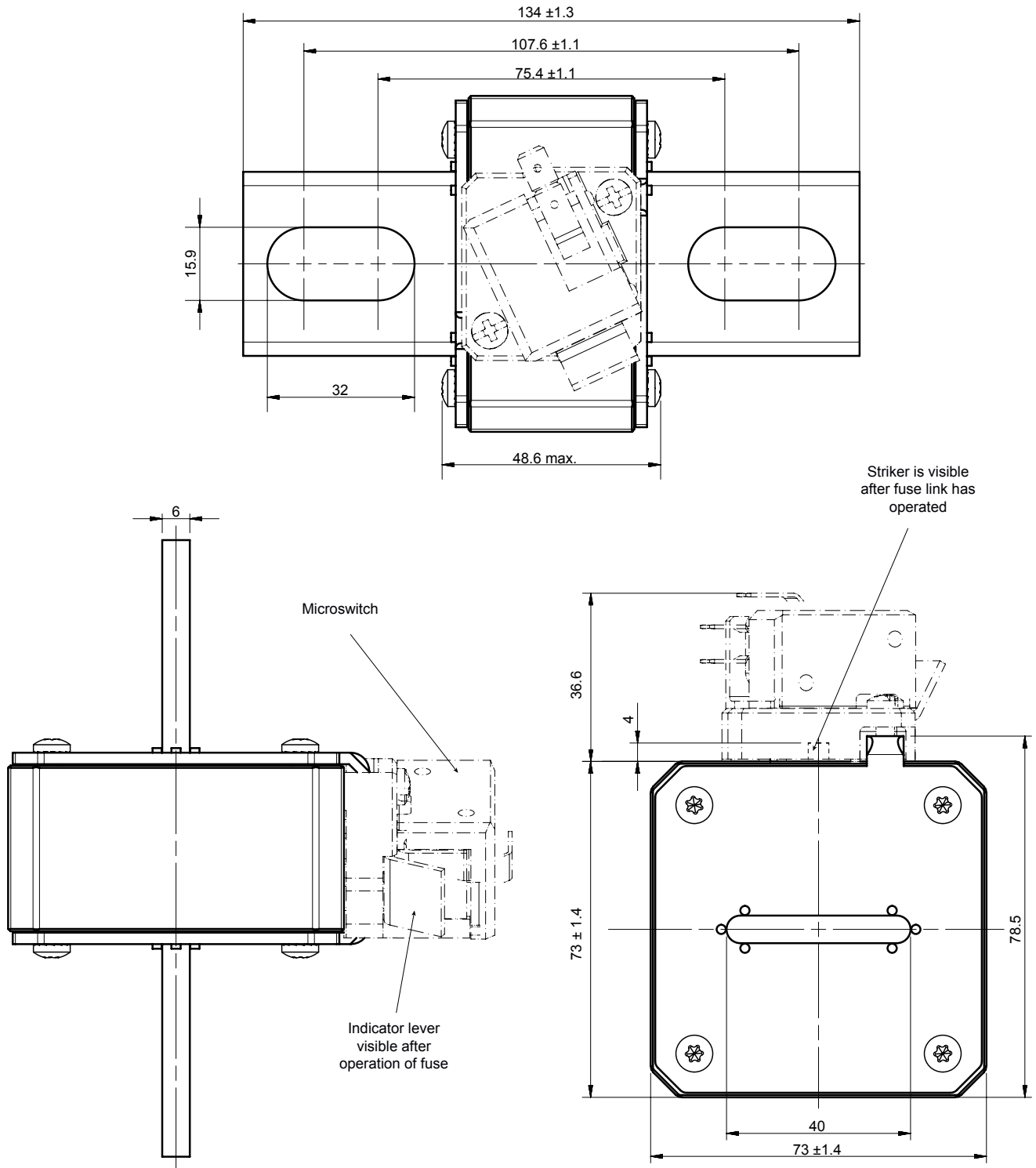
Dimensions in mm

# Protistor® size 33 aR

450 to 690VAC (IEC) / 700VAC (UL)

## DIMENSIONS

size 33 type KI (102929)



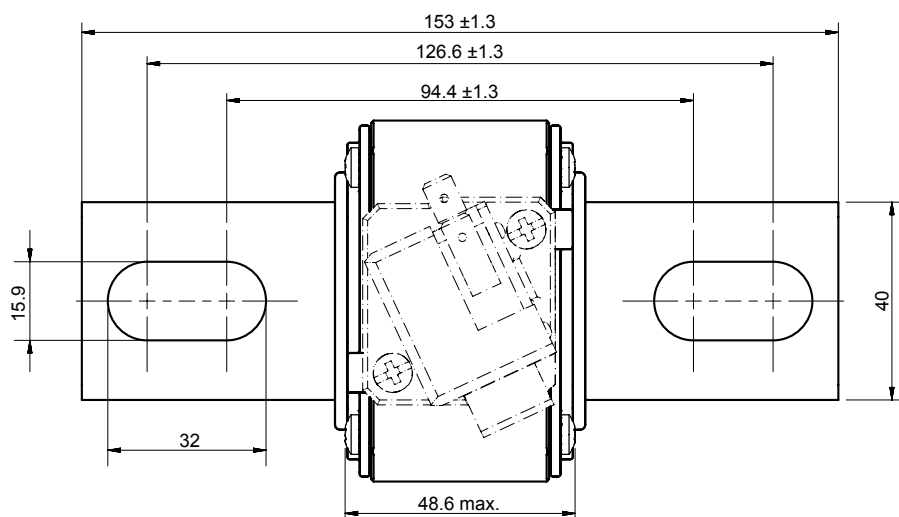
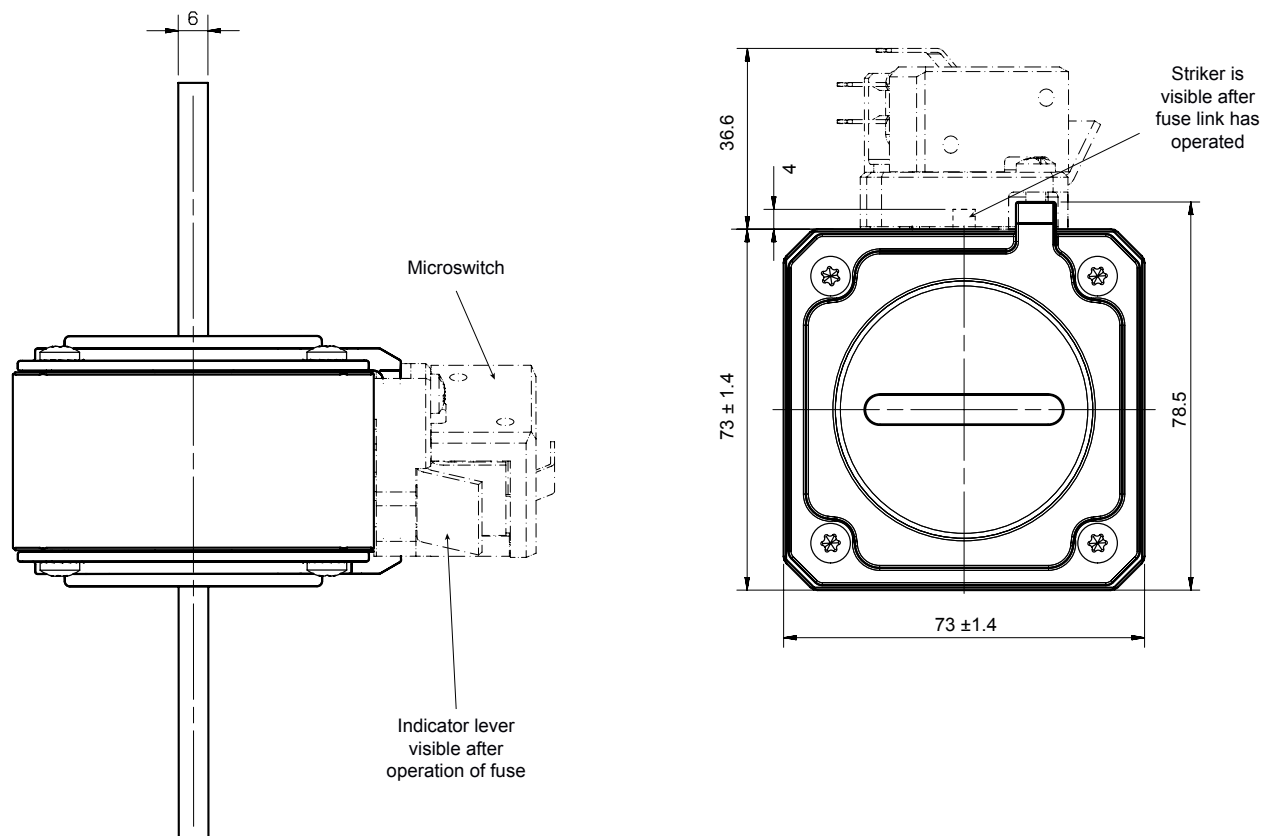
Dimensions in mm

# Protistor® size 33 aR

450 to 690VAC (IEC) / 700VAC (UL)

## DIMENSIONS

size 33 type LI reinforced (109524)



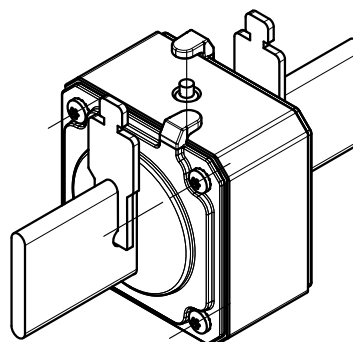
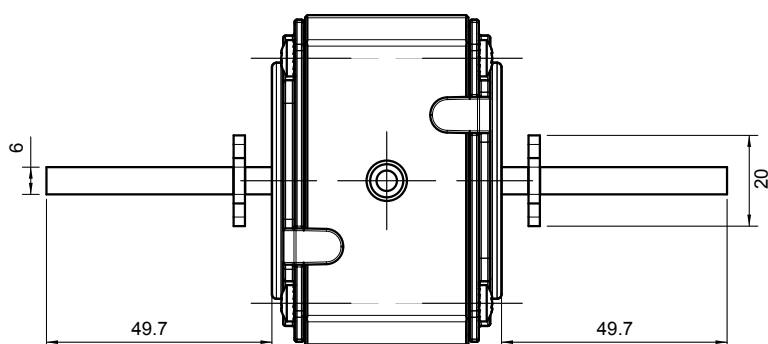
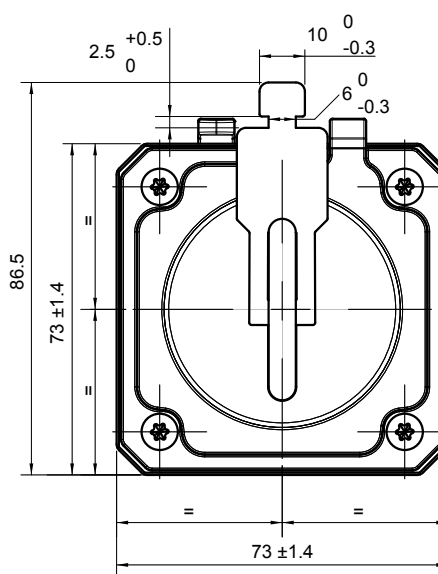
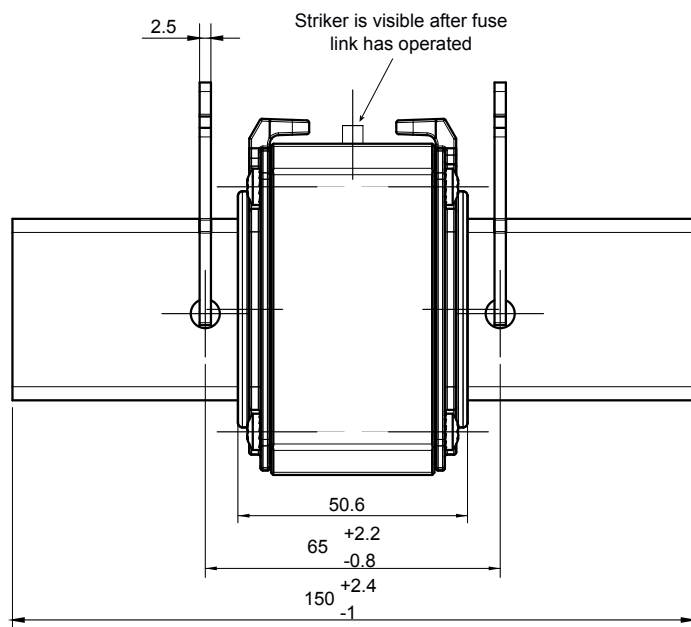
Dimensions in mm

# Protistor® size 33 aR

450 to 690VAC (IEC) / 700VAC (UL)

## DIMENSIONS

### size 33 type PA plain blades (107900)



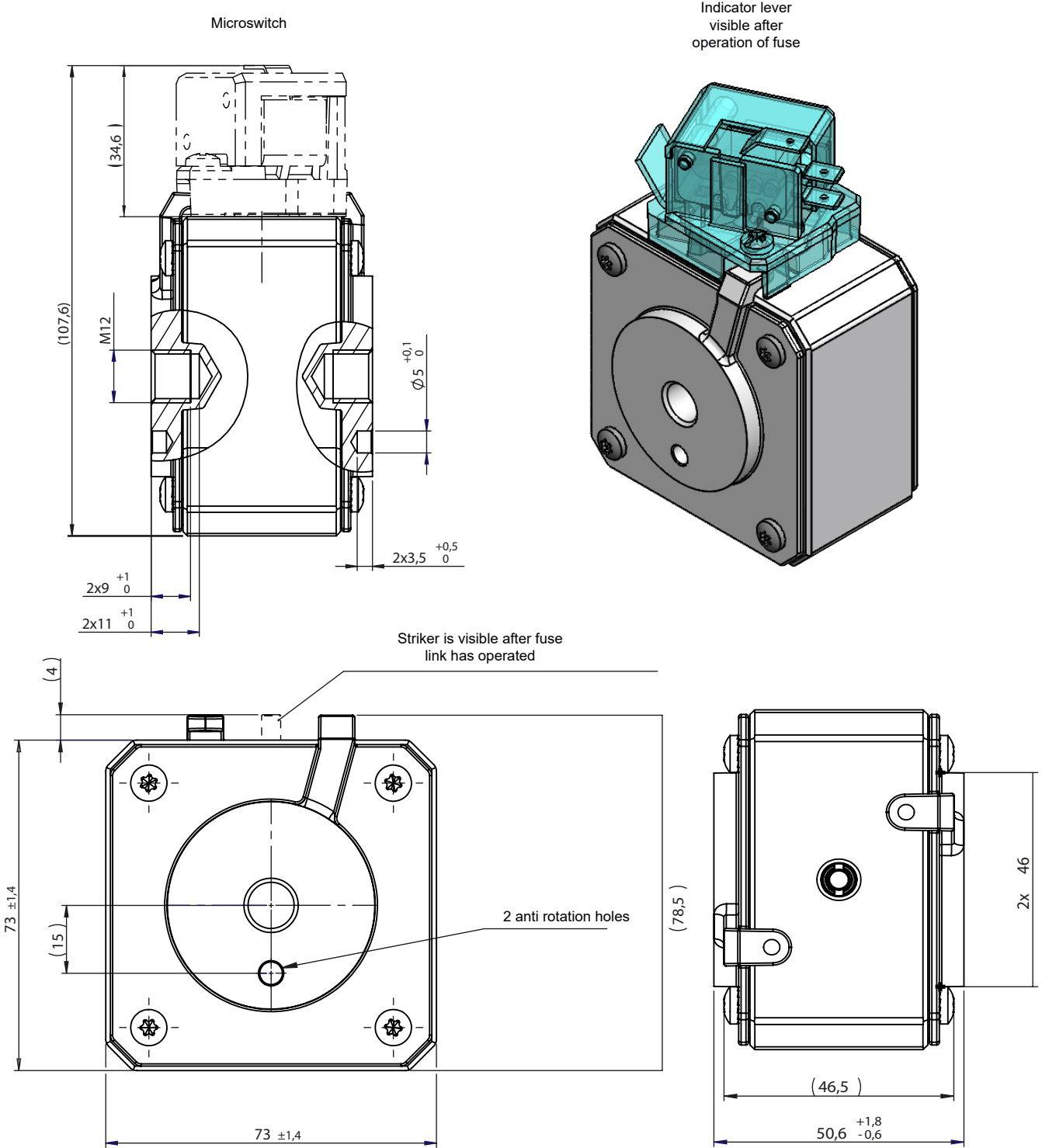
Dimensions in mm

# Protistor® size 33 aR

450 to 690VAC (IEC) / 700VAC (UL)

## DIMENSIONS

### size 33 TTF Standard Terminal (102757)



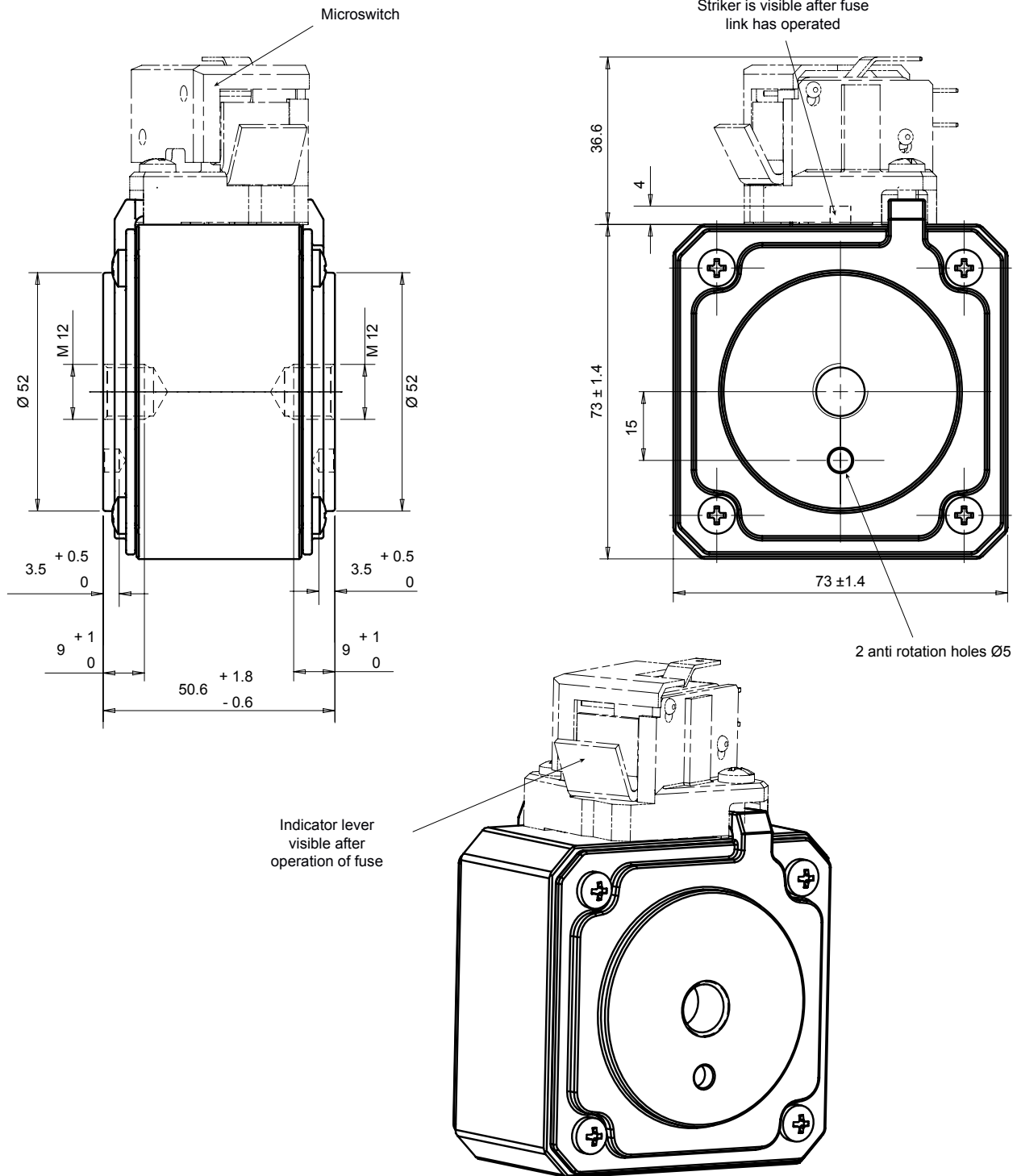
Dimensions in mm

# Protistor® size 33 aR

450 to 690VAC (IEC) / 700VAC (UL)

## DIMENSIONS

size 33 type TTF reinforced (108835)



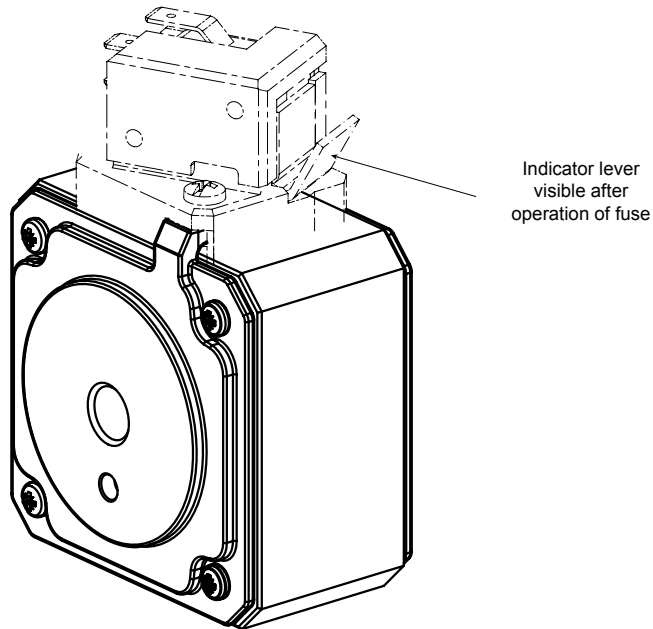
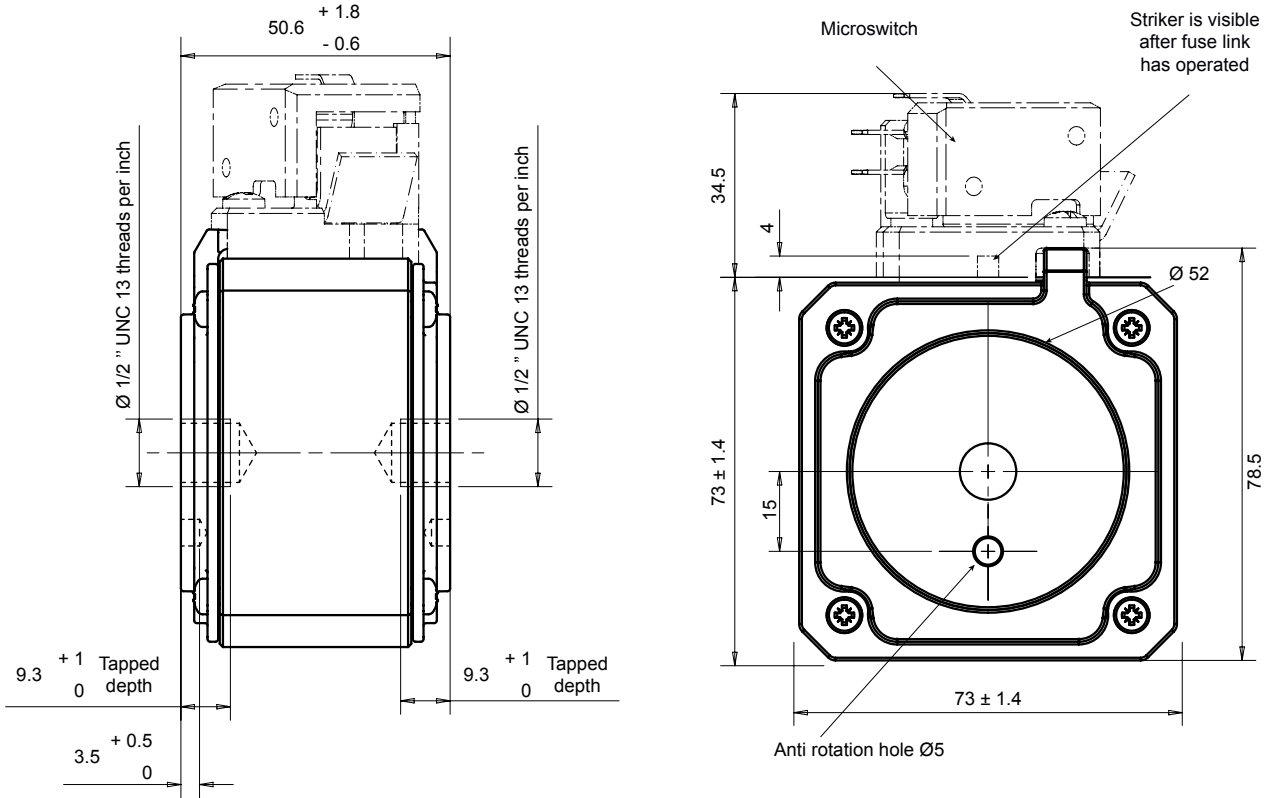
Dimensions in mm

# Protistor® size 33 aR

450 to 690VAC (IEC) / 700VAC (UL)

## DIMENSIONS

### size 33 type TTI reinforced



Dimensions in mm

# Protistor® size 33 aR

450 to 690VAC (IEC) / 700VAC (UL)

## APPENDIX

### Index

| Catalog number  | Item number | Description 1         | Page |
|-----------------|-------------|-----------------------|------|
| PC33UD69V450TF  | W302170     | 6,9 URD 33 TT F 0450  | 2    |
| PC33UD69V500TF  | V300076     | 6,9 URD 33 TT F 0500  | 2    |
| PC33UD69V550TF  | W300077     | 6,9 URD 33 TT F 0550  | 2    |
| PC33UD69V630TF  | X300078     | 6,9 URD 33 TT F 0630  | 2    |
| PC33UD69V700TF  | Y300079     | 6,9 URD 33 TT F 0700  | 2    |
| PC33UD69V800TF  | Z300080     | 6,9 URD 33 TT F 0800  | 2    |
| PC33UD69V900TF  | A300081     | 6,9 URD 33 TT F 0900  | 2    |
| PC33UD69V1000TF | B300082     | 6,9 URD 33 TT F 1000  | 2    |
| PC33UD69V1100TF | C300083     | 6,9 URD 33 TT F 1100  | 2    |
| PC33UD69V1250TF | D300084     | 6,9 URD 33 TT F 1250  | 2    |
| PC33UD69V1400TF | E300085     | 6,9 URD 33 TT F 1400  | 2    |
| PC33UD60V1500TF | Y300585     | 6 URD 33 TT F 1500    | 2    |
| PC33UD60V1600TF | Z300586     | 6 URD 33 TT F 1600    | 2    |
| PC33UD60V1800TF | A300587     | 6 URD 33 TT F 1800    | 2    |
| PC33UD55V2000TF | B300588     | 5,5 URD 33 TT F 2000  | 2    |
| PC33UD50V2250TF | K300757     | 5 URD 33 TT F 2250    | 2    |
| PC33UD45V2500TF | L300758     | 4,5 URD 33 TTF 2500   | 2    |
| A070UD33TTI450  | X302171     | A070 URD 33 TTI 0450  | 3    |
| A070UD33TTI500  | X300446     | A070 URD 33 TTI 0500  | 3    |
| A070UD33TTI550  | Y300447     | A070 URD 33 TTI 0550  | 3    |
| A070UD33TTI630  | Z300448     | A070 URD 33 TTI 0630  | 3    |
| A070UD33TTI700  | A300449     | A070 URD 33 TTI 0700  | 3    |
| A070UD33TTI800  | T300443     | A070 URD 33 TTI 0800  | 3    |
| A070UD33TTI900  | B300450     | A070 URD 33 TTI 0900  | 3    |
| A070UD33TTI1000 | C300451     | A070 URD 33 TTI 1000  | 3    |
| A070UD33TTI1100 | D300452     | A070 URD 33 TTI 1100  | 3    |
| A070UD33TTI1250 | E300453     | A070 URD 33 TTI 1250  | 3    |
| A070UD33TTI1400 | F300454     | A070 URD 33 TTI 1400  | 3    |
| A065UD33TTI1500 | F302064     | A065 URD 33 TTI 1500  | 3    |
| A065UD33TTI1600 | S301086     | A065 URD 33 TTI 1600  | 3    |
| A065UD33TTI1800 | T301087     | A065 URD 33 TTI 1800  | 3    |
| A060UD33TTI2000 | V301088     | A060 URD 33 TTI 2000  | 3    |
| A055UD33TTI2250 | W301089     | A055 URD 33 TTI 2250  | 3    |
| A050UD33TTI2500 | Y300838     | A050 URD 33 TTI 2500  | 3    |
| PC33UD69V450A   | T302168     | 6,9 URD 33 D08 A 0450 | 4    |
| PC33UD69V500A   | G300248     | 6,9 URD 33 D08 A 0500 | 4    |
| PC33UD69V550A   | H300249     | 6,9 URD 33 D08 A 0550 | 4    |
| PC33UD69V630A   | J300250     | 6,9 URD 33 D08 A 0630 | 4    |
| PC33UD69V700A   | K300251     | 6,9 URD 33 D08 A 0700 | 4    |
| PC33UD69V800A   | L300252     | 6,9 URD 33 D08 A 0800 | 4    |
| PC33UD69V900A   | M300253     | 6,9 URD 33 D08 A 0900 | 4    |
| PC33UD69V1000A  | N300254     | 6,9 URD 33 D08 A 1000 | 4    |
| PC33UD69V1100A  | P300255     | 6,9 URD 33 D08 A 1100 | 4    |
| PC33UD69V1250A  | Q300256     | 6,9 URD 33 D08 A 1250 | 4    |
| PC33UD69V1400A  | R300257     | 6,9 URD 33 D08 A 1400 | 4    |
| PC33UD60V1500A  | M235071     | 6 URD 33 D08 A 1500   | 4    |
| PC33UD60V1600A  | X301803     | 6 URD 33 D08 A 1600   | 4    |
| PC33UD60V1800A  | E301971     | 6 URD 33 D08 A 1800   | 4    |
| PC33UD55V2000A  | A302657     | 5,5 URD 33 D08 A 2000 | 4    |
| PC33UD69V450D1A | V302169     | 6,9 URD 33 D11 A 0450 | 4    |
| PC33UD69V500D1A | S300258     | 6,9 URD 33 D11 A 0500 | 4    |
| PC33UD69V550D1A | T300259     | 6,9 URD 33 D11 A 0550 | 4    |
| PC33UD69V630D1A | V300260     | 6,9 URD 33 D11 A 0630 | 4    |
| PC33UD69V700D1A | W300261     | 6,9 URD 33 D11 A 0700 | 4    |
| PC33UD69V800D1A | X300262     | 6,9 URD 33 D11 A 0800 | 4    |

# Protistor® size 33 aR

450 to 690VAC (IEC) / 700VAC (UL)

## APPENDIX

### Index

| Catalog number  | Item number | Description 1         | Page |
|-----------------|-------------|-----------------------|------|
| PC33UD69V900D1A | Y300263     | 6,9 URD 33 D11 A 0900 | 4    |
| PC33UD69V10CD1A | Z300264     | 6,9 URD 33 D11 A 1000 | 4    |
| PC33UD69V11CD1A | A300265     | 6,9 URD 33 D11 A 1100 | 4    |
| PC33UD69V12CD1A | B300266     | 6,9 URD 33 D11 A 1250 | 4    |
| PC33UD69V14CD1A | C300267     | 6,9 URD 33 D11 A 1400 | 4    |
| PC33UD60V15CD1A | H301974     | 6 URD 33 D11 A 1500   | 4    |
| PC33UD60V16CD1A | Z301437     | 6 URD 33 D11 A 1600   | 4    |
| PC33UD55V20CD1A | S1015765    | 5,5 URD 33 D11A 2000A | 4    |
| A070UD33KI500   | W300238     | A 070 URD 33 KI 0500  | 5    |
| A070UD33KI550   | X300239     | A 070 URD 33 KI 0550  | 5    |
| A070UD33KI630   | Y300240     | A 070 URD 33 KI 0630  | 5    |
| A070UD33KI700   | Z300241     | A 070 URD 33 KI 0700  | 5    |
| A070UD33KI800   | A300242     | A 070 URD 33 KI 0800  | 5    |
| A070UD33KI900   | B300243     | A 070 URD 33 KI 0900  | 5    |
| A070UD33KI1000  | C300244     | A 070 URD 33 KI 1000  | 5    |
| A070UD33KI1100  | D300245     | A 070 URD 33 KI 1100  | 5    |
| A070UD33KI1250  | E300246     | A 070 URD 33 KI 1250  | 5    |
| A070UD33KI1400  | F300247     | A 070 URD 33 KI 1400  | 5    |
| A065UD33KI1600  | E302063     | A 065 URD 33 KI 1600  | 5    |
| A070UD33LI450   | Y302172     | A 070 URD 33 LI 0450  | 5    |
| A070UD33LI500   | K300228     | A 070 URD 33 LI 0500  | 5    |
| A070UD33LI550   | L300229     | A 070 URD 33 LI 0550  | 5    |
| A070UD33LI630   | M300230     | A 070 URD 33 LI 0630  | 5    |
| A070UD33LI700   | N300231     | A 070 URD 33 LI 0700  | 5    |
| A070UD33LI800   | P300232     | A 070 URD 33 LI 0800  | 5    |
| A070UD33LI900   | Q300233     | A 070 URD 33 LI 0900  | 5    |
| A070UD33LI1000  | R300234     | A 070 URD 33 LI 1000  | 5    |
| A070UD33LI1100  | S300235     | A 070 URD 33 LI 1100  | 5    |
| A070UD33LI1250  | T300236     | A 070 URD 33 LI 1250  | 5    |
| A070UD33LI1400  | V300237     | A 070 URD 33 LI 1400  | 5    |
| A060UD33LI1500  | P300531     | A 060 URD 33 LI 1500  | 5    |
| A060UD33LI2000  | J301078     | A 060 URD 33 LI 2000  | 5    |
| A065UD33LI1600  | G301076     | A 065 URD 33 LI 1600  | 5    |
| A065UD33LI1800  | H301077     | A 065 URD 33 LI 1800  | 5    |
| PC33UD69V500EF  | Z300218     | 6,9 URD 33 E F 0500   | 6    |
| PC33UD69V550EF  | A300219     | 6,9 URD 33 E F 0550   | 6    |
| PC33UD69V630EF  | B300220     | 6,9 URD 33 E F 0630   | 6    |
| PC33UD69V700EF  | C300221     | 6,9 URD 33 E F 0700   | 6    |
| PC33UD69V800EF  | D300222     | 6,9 URD 33 E F 0800   | 6    |
| PC33UD69V900EF  | E300223     | 6,9 URD 33 E F 0900   | 6    |
| PC33UD69V1000EF | F300224     | 6,9 URD 33 E F 1000   | 6    |
| PC33UD69V1100EF | G300225     | 6,9 URD 33 E F 1100   | 6    |
| PC33UD69V1250EF | H300226     | 6,9 URD 33 E F 1250   | 6    |
| PC33UD69V1400EF | J300227     | 6,9 URD 33 E F 1400   | 6    |
| PC33UD60V1600PA | W302722     | 6 URD 3 PA 1600       | 6    |
| PC33UD69V1250PA | V302721     | 6,9 URD 3 PA 1250     | 6    |
| PC33UD69V1400PA | P1028044    | 6,9 URD 3 PA 1400     | 6    |