

# Protistor® size 32 aR

450 to 690VAC (IEC) / 700VAC (UL)

## SEMICONDUCTOR PROTECTION FUSES

## SQUARE BODY HIGH-SPEED FUSE-LINKS AC PROTECTION



The 690/700V Protistor® fuse-links provide maximum flexibility in equipment design and ultimate protection for today's power conversion equipment. These aR ultra-fast acting square body fuse-links are available in different body sizes, each size having multiple worldwide acceptable mounting styles.

The Protistor® have been engineered to provide state-of-the-art protection for semiconductors: diodes, thyristors and IGBT devices. Fuses are assembled with die-cut elements embedded in solidified sand, which helps control arcing characteristics for a lower  $I^2t$  and high interrupting rating level. All contact surfaces are silver plated and all hardware is non-magnetic.

Each fuse-link can be equipped with a low voltage trip-indicator which can operate a field mountable microswitch.

### TECHNICAL DATA OVERVIEW

Voltage Range AC	450 ... 690 VAC
Ampere Range (A)	315 ... 1800 A
Speed/Characteristic	aR
I.R. AC	110 ... 200 kA
Product Size	32

### FEATURES & BENEFITS

- Multiple body sizes and terminals or blades combination
- aR Class according to IEC 60269-4 and VDE 636-23
- Very low  $I^2t$  for improved semiconductor protection
- Ultra fast acting
- Current limiting
- Superior cycling capability

### APPLICATIONS

- Protection of inverters, motor drives, UPS systems and similar 690V or less equipments.

### STANDARDS

- IEC 60269-4 Compliance
- UL/CSA Recognized E76491
- CCC GB 13539.4



MERSEN reserves the right to change, update or correct, without notice, any information contained in this datasheet.

# Protistor® size 32 aR

450 to 690VAC (IEC) / 700VAC (UL)

## PRODUCT RANGE



PC32UD69V800TF

### Size 32 type TTF M10 threaded terminals

Catalog number	Item number	Rated voltage AC (IEC)	Rated voltage AC (UL)	Rated current I <sub>n</sub>	Pre-arcing I <sup>2</sup> t	Clearing I <sup>2</sup> t at Rated Voltage	Rated breaking capacity AC	Power dissipation at I <sub>n</sub>	Package	Weight
<b>Standard Terminal</b>										
PC32UD69V315TF	M302162	690 V	700 V	315 A	5.2 kA <sup>2</sup> s	31.8 kA <sup>2</sup> s	200 kA	71 W	3	0.55 kg
PC32UD69V350TF	N302163	690 V	700 V	350 A	8.9 kA <sup>2</sup> s	53.7 kA <sup>2</sup> s	200 kA	71 W	3	0.55 kg
PC32UD69V400TF	H300065	690 V	700 V	400 A	15 kA <sup>2</sup> s	90 kA <sup>2</sup> s	200 kA	72 W	3	0.55 kg
PC32UD69V450TF	J300066	690 V	700 V	450 A	22 kA <sup>2</sup> s	130 kA <sup>2</sup> s	200 kA	77 W	3	0.55 kg
PC32UD69V500TF	K300067	690 V	700 V	500 A	28 kA <sup>2</sup> s	160 kA <sup>2</sup> s	200 kA	85 W	3	0.55 kg
PC32UD69V550TF	L300068	690 V	700 V	550 A	37 kA <sup>2</sup> s	215 kA <sup>2</sup> s	200 kA	90 W	3	0.55 kg
PC32UD69V630TF	M300069	690 V	700 V	630 A	54 kA <sup>2</sup> s	310 kA <sup>2</sup> s	200 kA	95 W	3	0.55 kg
PC32UD69V700TF	N300070	690 V	700 V	700 A	76 kA <sup>2</sup> s	440 kA <sup>2</sup> s	200 kA	100 W	3	0.55 kg
PC32UD69V800TF	P300071	690 V	700 V	800 A	115 kA <sup>2</sup> s	660 kA <sup>2</sup> s	200 kA	110 W	3	0.55 kg
<b>Reinforced Terminal</b>										
PC32UD69V900TF	Q300072	690 V	700 V	900 A	165 kA <sup>2</sup> s	990 kA <sup>2</sup> s	200 kA	110 W	3	0.55 kg
PC32UD69V1000TF	S300074	690 V	700 V	1000 A	230 kA <sup>2</sup> s	1380 kA <sup>2</sup> s	200 kA	115 W	3	0.55 kg
PC32UD60V1100TF	M300759	600 V	650 V	1100 A	270 kA <sup>2</sup> s	1450 kA <sup>2</sup> s	200 kA	140 W	3	0.55 kg
PC32UD55V1250TF	P301060	550 V	600 V	1250 A	410 kA <sup>2</sup> s	1950 kA <sup>2</sup> s	200 kA	150 W	3	0.55 kg
PC32UD50V1400TF	Q301061	500 V	550 V	1400 A	555 kA <sup>2</sup> s	2300 kA <sup>2</sup> s	200 kA	160 W	3	0.55 kg
PC32UD50V1600TF	H300893	500 V	550 V	1600 A	870 kA <sup>2</sup> s	3600 kA <sup>2</sup> s	200 kA	165 W	3	0.55 kg
PC32UD45V1800TF	R301062	450 V	500 V	1800 A	1050 kA <sup>2</sup> s	3700 kA <sup>2</sup> s	200 kA	195 W	3	0.55 kg



A070UD32TTI800

### Size 32 type TTI 3/8"-16 unified coarse threaded terminals

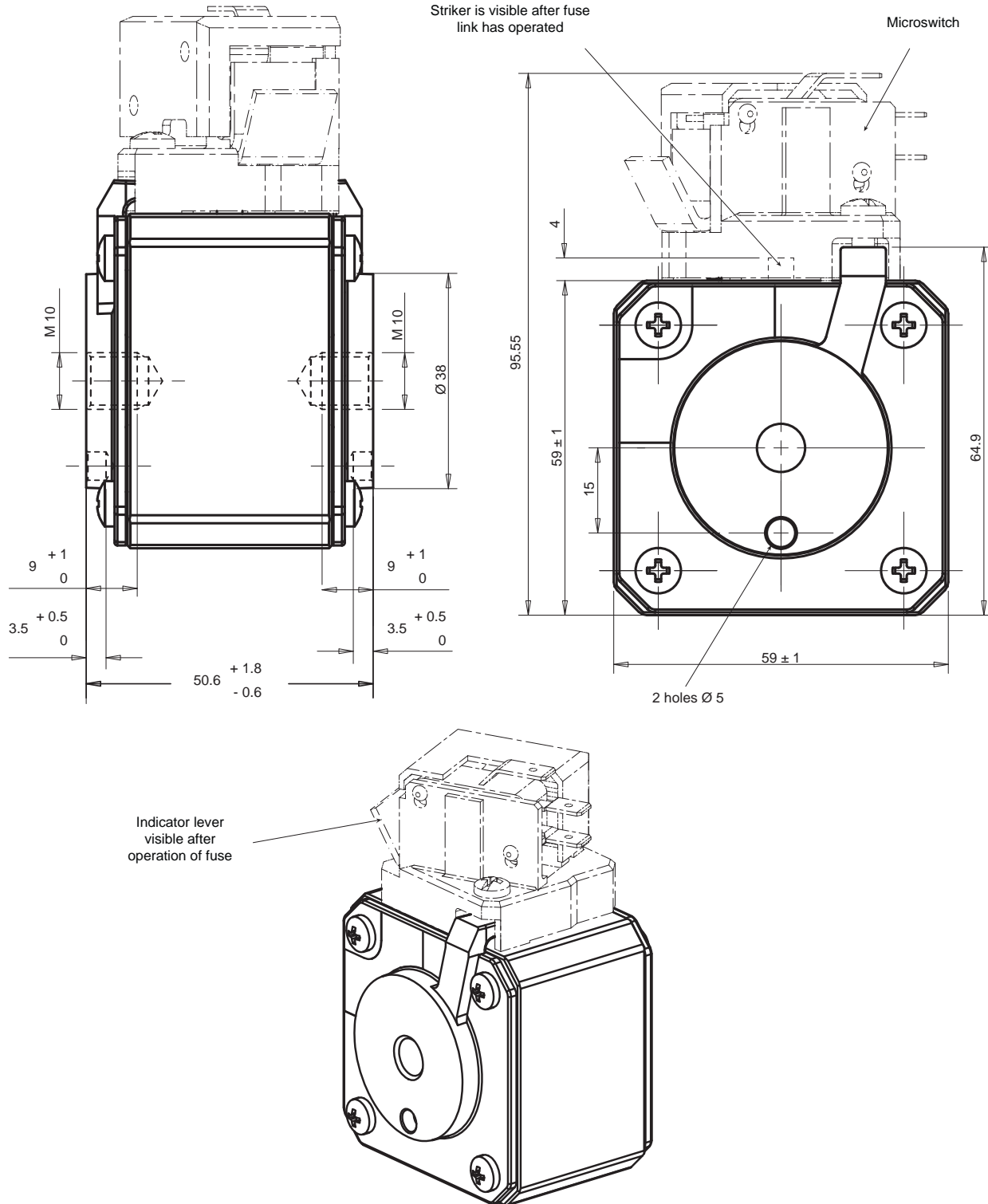
Catalog number	Item number	Rated voltage AC (IEC)	Rated voltage AC (UL)	Rated current I <sub>n</sub>	Pre-arcing I <sup>2</sup> t	Clearing I <sup>2</sup> t at Rated Voltage	Rated breaking capacity AC	Power dissipation at I <sub>n</sub>	Package	Weight
<b>Standard Terminal</b>										
A070UD32TTI1400	Q300463	690 V	700 V	400 A	15 kA <sup>2</sup> s	90 kA <sup>2</sup> s	200 kA	72 W	3	0.60 kg
A070UD32TTI1450	N300461	690 V	700 V	450 A	22 kA <sup>2</sup> s	130 kA <sup>2</sup> s	200 kA	77 W	3	0.60 kg
A070UD32TTI1500	P300462	690 V	700 V	500 A	28 kA <sup>2</sup> s	160 kA <sup>2</sup> s	200 kA	85 W	3	0.60 kg
A070UD32TTI1550	R300464	690 V	700 V	550 A	37 kA <sup>2</sup> s	215 kA <sup>2</sup> s	200 kA	90 W	3	0.60 kg
A070UD32TTI1630	S300465	690 V	700 V	630 A	54 kA <sup>2</sup> s	310 kA <sup>2</sup> s	200 kA	95 W	3	0.60 kg
A070UD32TTI1700	T300466	690 V	700 V	700 A	76 kA <sup>2</sup> s	440 kA <sup>2</sup> s	200 kA	100 W	3	0.60 kg
A070UD32TTI1800	V300467	690 V	700 V	800 A	115 kA <sup>2</sup> s	660 kA <sup>2</sup> s	200 kA	110 W	3	0.60 kg
<b>Reinforced Terminal</b>										
A070UD32TTI1900	W300468	690 V	700 V	900 A	165 kA <sup>2</sup> s	990 kA <sup>2</sup> s	200 kA	110 W	3	0.60 kg
A070UD32TTI1000	X300469	690 V	700 V	1000 A	230 kA <sup>2</sup> s	1380 kA <sup>2</sup> s	200 kA	115 W	3	0.60 kg
A065UD32TTI1100	M301081	600 V	650 V	1100 A	270 kA <sup>2</sup> s	1450 kA <sup>2</sup> s	200 kA	140 W	3	0.60 kg
A060UD32TTI1250	N301082	550 V	600 V	1250 A	410 kA <sup>2</sup> s	1950 kA <sup>2</sup> s	200 kA	150 W	3	0.60 kg
A055UD32TTI1400	P301083	500 V	550 V	1400 A	555 kA <sup>2</sup> s	2300 kA <sup>2</sup> s	200 kA	160 W	3	0.60 kg
A055UD32TTI1600	Q301084	500 V	550 V	1600 A	870 kA <sup>2</sup> s	3600 kA <sup>2</sup> s	200 kA	165 W	3	0.60 kg
A050UD32TTI1800	R301085	450 V	500 V	1800 A	1050 kA <sup>2</sup> s	3700 kA <sup>2</sup> s	200 kA	195 W	3	0.60 kg

# Protistor® size 32 aR

450 to 690VAC (IEC) / 700VAC (UL)

## DIMENSIONS

Size 32 type TTF (102756)



Dimensions in mm